

# Instruction Manual

10", 12", 14", 16" RCX400™ Advanced Ritchey-Chrétien Telescopes  
with AutoStar II® Hand Controller and Digital Front Focus



[MEADE.COM](http://MEADE.COM)



**MEADE®**

## Focusing the Telescope

As you look over your new RCX telescope, one of the first things you will notice is that it has **no Focus Knob!**

Because this design is of key importance, we are presenting this information on how to focus your telescope on the inside front cover so that it is immediately accessible.

### The Focus Key

All focusing of the RCX400 is performed digitally, using AutoStar II's Focus key (number key 4).

### The Focus key functions as a toggle key:

- Press the Focus key the first time to focus the telescope and to control the speed at which you focus.
- Press the Focus key again to set and adjust up to nine focus presets.

### To change the focus speed:

1. Press the Focus key once. "Focuser: Fast (or the current speed)" displays for two seconds. Use one of the Scroll keys to scroll through the list of 4 available focus speeds: Fast, Medium, Slow, Fine. Scroll through the list until the speed you desire displays. Choose a focus speed with which you feel comfortable.

### To focus the telescope:

1. Press the Focus key once. "Focuser: Fast (or the current speed)" displays. After two seconds, "Focuser: Position = XX" displays. "XX" stands for a number value in decimal millimeters.
2. Point the telescope at a distant object. Look in the eyepiece and use the Arrow keys until the image in the eyepiece is in focus.

### To exit the focus operation at any time:

1. Press MODE.

*If you wish learn how to set focus presets, see page 19.*

## How to Hot Swap the Autostar II Handbook

You may move the Autostar II handbook from one computer control panel to another, without turning off the RCX control panel. This is called "hot swapping."

### To hot swap the handbook:

1. Unplug the handbook connector and plug Autostar II into the HBX port of the other computer control panel.
2. Press and hold the "?" key for two seconds to refresh the display.



## WARNING!

**Never use a Meade® RCX400 Telescope to look at the Sun!** Looking at or near the Sun will cause instant and irreversible damage to your eye. Eye damage is often painless, so there is no warning to the observer that damage has occurred until it is too late. Do not point the telescope or its viewfinder at or near the Sun. Do not look through the telescope or its viewfinder as it is moving. Children should always have adult supervision while observing.

**Caution:** Use care to install batteries in the orientation indicated by illustration in the battery slots of the battery holder. Follow battery manufacturer's precautions. Do not install batteries backwards or mix new and used batteries. Do not mix battery types. If these precautions are not followed, batteries may explode, catch fire, or leak. Improperly installed batteries void your Meade warranty.

® The name "Meade" and the Meade logo are trademarks registered with the U.S. Patent Office and in principal countries throughout the world. "RCX400" and "AutoStar II" are trademarks of Meade Instruments Corporation.

Patents:

US 6,304,376

US 6,392,799

US 6,563,636

D 422,610

Patent Pending.

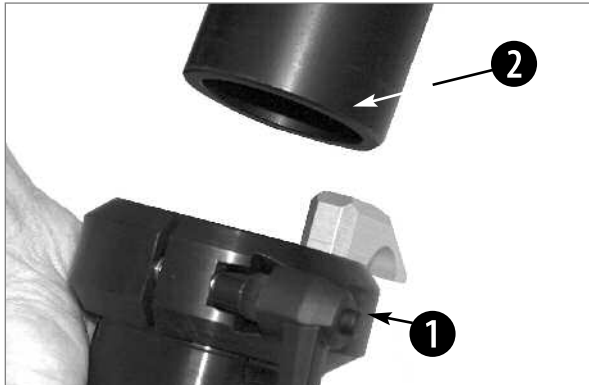
© 2006 Meade Instruments Corporation.

# CONTENTS

Focusing your Telescope.....	Inside front cover
Quick-Start Guide .....	4
Telescope Features .....	8
Autostar II Features .....	13
Getting Started .....	16
Parts Listing, How to Attach the Tripod .....	16
How to Assemble the Tripod .....	16
How to Assemble Your Telescope .....	16
To Attach the Mount.....	16
To Install the Batteries .....	16
To Connect Autostar II and Attach the Holder.....	17
To Attach the Diagonal and Eyepiece .....	17
Mounting and Focusing the Viewfinder .....	18
Observing .....	16
Choosing an Eyepiece .....	19
Focusing the Telescope .....	19
Observing by Moving the Telescope Manually.....	20
Terrestrial Observing .....	21
Observing Using Arrow Keys .....	21
Slew Speeds .....	21
Observe the Moon, Astronomical Observing .....	22
To Track an Object Automatically .....	22
Moving Through Autostar II's Menus .....	22
Automatic Alignment .....	22
Observe a Star Using Automatic Tracking .....	24
Go To Saturn, Using the Guided Tour .....	24
Basic Autostar II Operation .....	26
Autostar II Menu Exercises .....	26
Navigating Autostar II.....	27
Autostar II Menus .....	28
Menu Tree .....	28
Objects Menu.....	29
Event Menu .....	30
Glossary Menu, Utilities Menu .....	31
Setup Menu .....	32
Hot Button Menus .....	36
Advanced Autostar II Features .....	37
Adding Observing Sites .....	37
Creating User Objects .....	38
Observing Satellites, Landmarks .....	39
Identify .....	40
Browse .....	41
Alternate Alt/Az Alignment Methods .....	42
To Download the Latest Autostar II Software.....	43
Periodic Error Correction .....	44
Photography .....	45
Optional Accessories.....	48
Maintenance .....	51
Collimation .....	51
Specifications .....	54
Appendix A: Equatorial (Polar) Alignment .....	57
Appendix B: Latitude Chart .....	62
Appendix C: How to Create Your Own Guided Tour .....	63
Appendix D: Training the Drive .....	67
Appendix E: The Moon Menu .....	68
Appendix F: Smart Mount .....	69
Appendix G: 16" RCX400 Features.....	71
Basic Astronomy .....	74

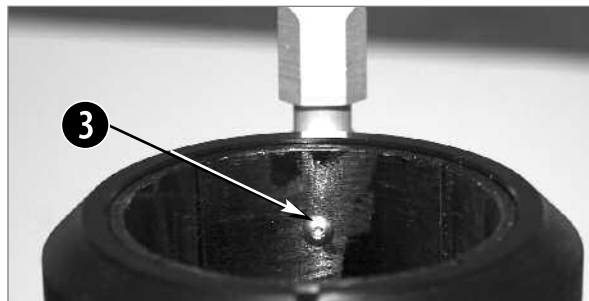
# QUICK-START GUIDE

## Assemble Your Tripod



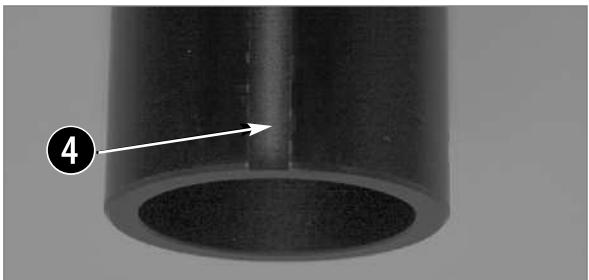
### STEP 1: Attach the legs of the tripod to the base:

Slide each leg (1) into a leg receptacle (2) .....



### STEP 2: Locate the screw in the leg:

....making sure that the screw (3) in the leg.....



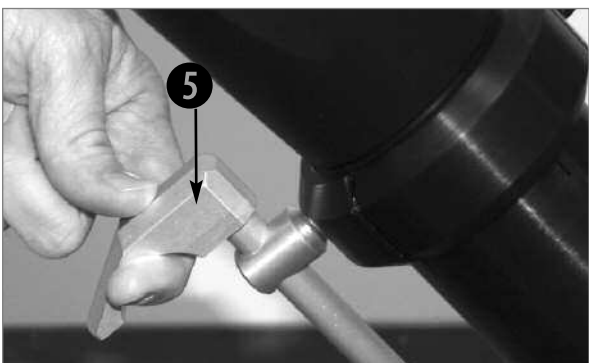
### STEP 3: Slide screw into groove:

....slides into the groove (4) on the receptacle



### STEP 4: Tighten the adjustment lock:

Rotate the leg attachment lock (6) and tighten to a firm feel.



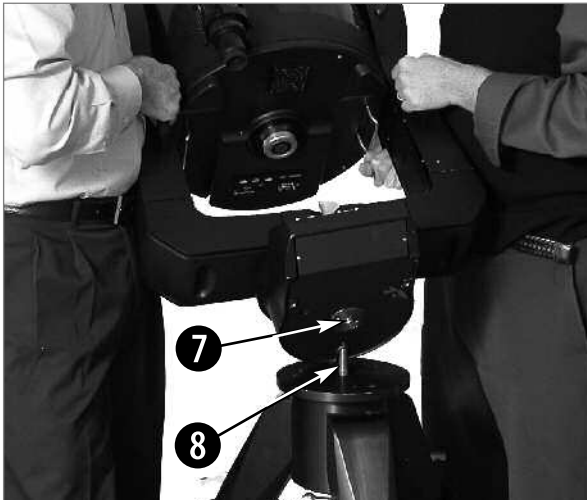
### STEP 5: Set the height of your tripod:

Press and hold down the trigger release lever (5) slide the tripod leg to the desired length (thereby setting the height of the tripod).

**Important Step: Let go of the trigger when the tripod leg is at the desired length. Unhook the trigger release pin to lock the leg in place. This step prevents your tripod accidentally slipping out of the position you set .**

Perform this procedure for each of the tripod's legs. The tripod should now be stable.

## Attach the Mount to the Tripod

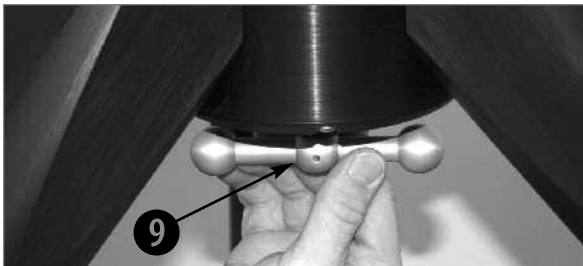


### STEP 6: Position the mount over the tripod:

Take note of the T-handle/rod (8) that goes through the tripod base. The T-handle/rod is spring-mounted into position. Note also that there is a hole (7) on the bottom side of the mount base.

Lift the mount and position the mount base over the tripod base. Line up the hole on the mount base over the T-handle rod. When they are lined up, the rod will “pop up” into the hole.

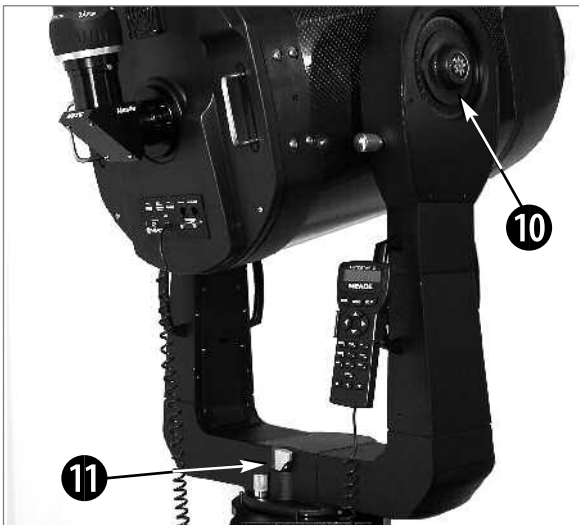
**Caution for 12” and 14” model users:** Due to the weight and size of these products, please use extreme caution whenever assembling, disassembling, lifting, transporting or storing these products. Two or more persons should always be used whenever performing any of these tasks. Disregard for the above warning could result in serious injury or death.



### STEP 7: Secure the mount with the T-handle:

Rotate the T-handle (9) until the rod is tightened to a firm feel.

## Move the Optical Tube and Install the Batteries



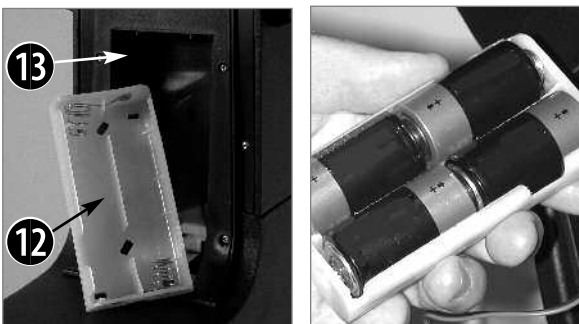
### STEP 8: Move the optical tube from its shipping position:

Turn the Dec. lock (10) counterclockwise to unlock the the optical tube (11) and move it perpendicular the fork arms, to the position depicted in the image at the left. Turn the Dec. lock clockwise to a firm feel to relock the position of the optical tube.

### STEP 9: Install the batteries:

Assembly of the RCX400 telescope requires eight C-cell (user supplied) batteries. Remove the battery compartment (13) covers and carefully remove the battery holders (12), being mindful of the connector wires.

Insert four user-supplied C-cell batteries into each battery holder, oriented as shown on the diagram on the battery slots inside the battery holder. Return the battery holders to their respective compartments and replace the covers.

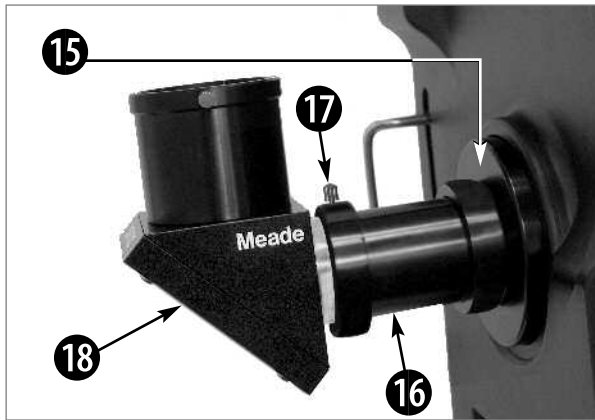


**Caution:** Use care to install batteries as indicated by the battery compartment. Follow battery manufacturer's precautions. Do not install batteries backwards or mix new and used batteries. Do not mix battery types. If these precautions are not followed, batteries may explode, catch fire, or leak.

Improperly installed batteries void your Meade warranty. Always remove the batteries if they are not to be used for a long period of time.

# QUICK-START GUIDE {CONTINUED}

## Insert the Telescope Diagonal Mirror and Eyepiece



### STEP 10: Attach the visual back and diagonal mirror:

1. Thread the ring of the visual back (16) over the rear cell (15) and rotate the ring, tightening to a firm feel. Slide the diagonal (18) into the visual back and secure it in place using the visual back thumbscrew (17).



### STEP 11: Insert the eyepiece and remove dust cover:

Remove the UltraWide 24mm eyepiece (19) from its container and place it in the diagonal mirror. Tighten the thumbscrew (20) located on the diagonal mirror to a firm feel only. Remove the dust cover (18, Fig. 1a) from the front of the optical tube assembly (19, Fig. 1a) by gently prying it off.

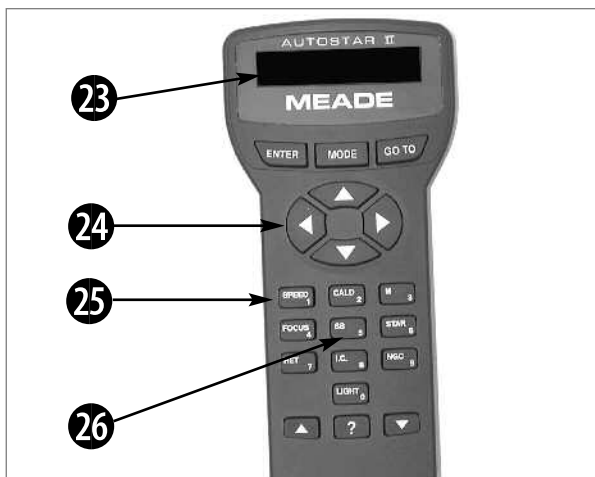


### STEP 12: Plug in the AutoStar II handbox

Check that the power switch on the computer control panel (21) is in the OFF position. Plug the coil cord of the AutoStar II handbox into the HBX port of the base control panel (22).

**Note:** The AutoStar II handbox does not require batteries; the batteries in the telescope supply the power.

**Note:** You can only plug one handbox into the telescope at a time; you cannot plug two handboxes into the two control panels at the same time.



### STEP 13: Turn on AutoStar:

Press the Power Switch on the computer control panel to the ON position. The copyright message lights on AutoStar II's LCD display (23).

Press the key prompted by AutoStar II to accept the Sun warning. AutoStar II now displays "Automatic Alignment." You can then use the Arrow keys (24) to slew (move) the telescope up, down, right, or left. To change the telescope's slew speed, press the Speed key (25) and then the Number keys (26). "9" is the fastest speed and "1" is the slowest speed.

## Point, Focus and Observe



### STEP 14: Tighten the R.A. and Dec. Locks:

Move the R.A. lock (27) and tighten to a firm feel. Rotate the Dec. Lock (28) and tighten to a firm feel, also.



### STEP 15: Focus:

#### To change the focus speed:

Press the Focus key (29) once. “Focuser: Fast (or the current speed)” displays. Use one of the Scroll keys to scroll through the list of 4 available focus speeds: Fast, Medium, Slow, Fine. Scroll through the list until the speed you desire displays (choose a focus speed with which you feel comfortable).

#### To focus the telescope:

1. Press the Focus key once. “Focuser: Fast (or the current speed)” displays. After two seconds, “Focuser: Position = XX” displays. “XX” stands for a number value in decimal millimeters.
2. Point the telescope at a distant object. Look in the eyepiece and press the Arrow keys until the image in the eyepiece is in focus.

#### To exit the focus operation:

1. Press MODE.



### STEP 16: Point and Observe:

Sight along the side of the telescope tube to locate an object (if you wish to attach the viewfinder, see page 18 for more information).

Look through the eyepiece and use AutoStar’s arrow keys to center the object in your eyepiece.

### WHERE TO GO FROM HERE...

See pages 8 to 12 to learn about your tripod and telescope’s features.

See pages 13 to 15 to learn about AutoStar II’s features.

See pages 16 to 17 to learn more about your telescope’s assembly.

See page 18 to learn about your telescope’s viewfinder.

See pages 19 to 21 to learn more about observing and focusing with your scope.

See pages 22 to 24 to learn how to initialize, align and “go to” with your telescope.

See pages 28 to 44 to learn about AutoStar’s menus.

See pages 45 to 47 to learn about photography and your telescope.

See pages 48 to 50 to learn about optional accessories available for your scope.

# TELESCOPE FEATURES

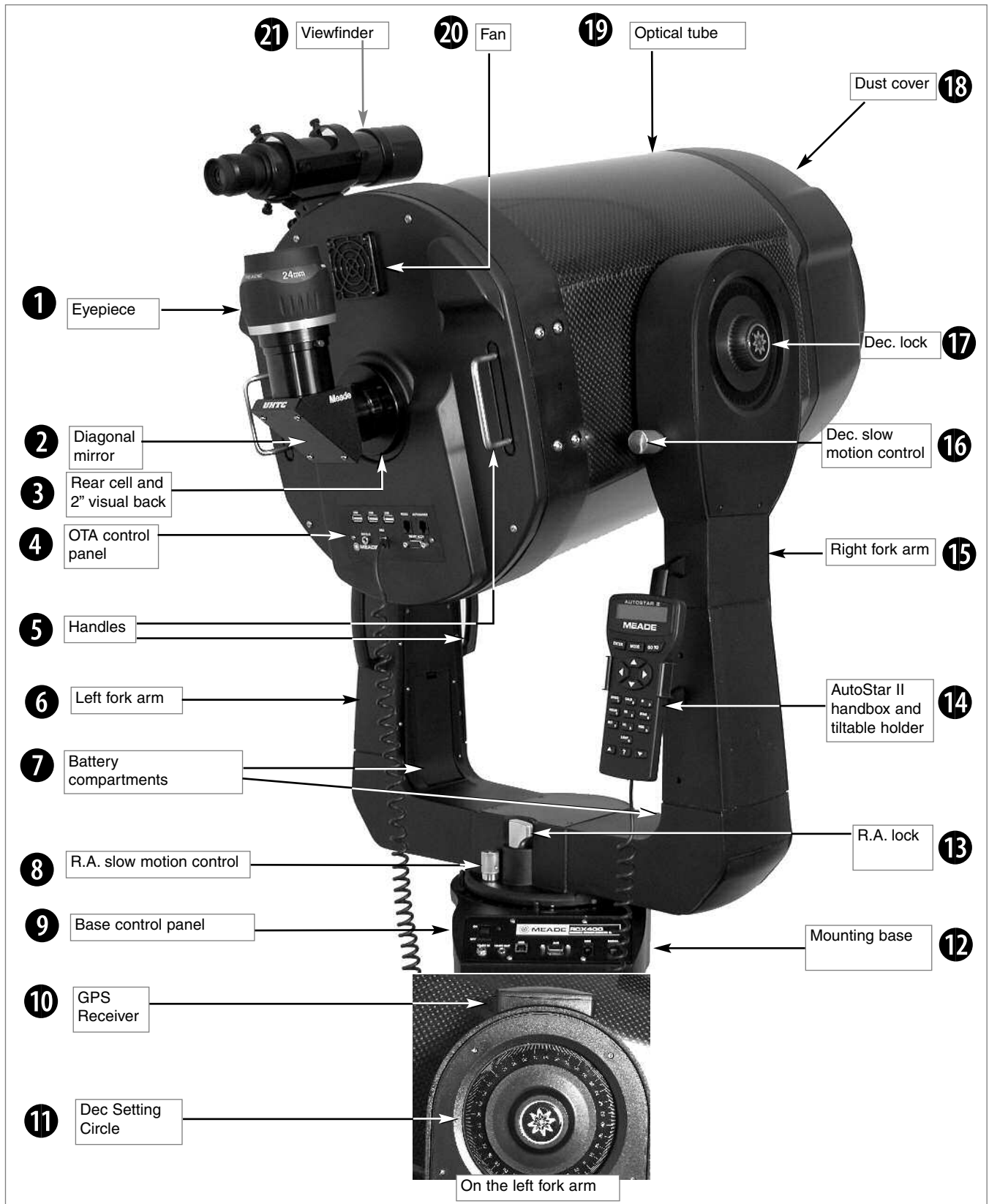


Fig. 1a: The RCX400 Telescope; Dec. Setting Circle (inset).



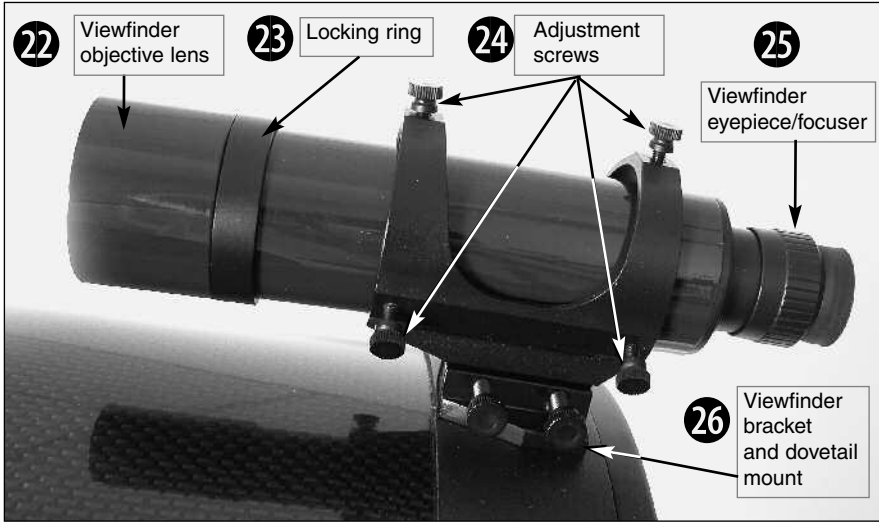


Fig. 1b: The Viewfinder close up.

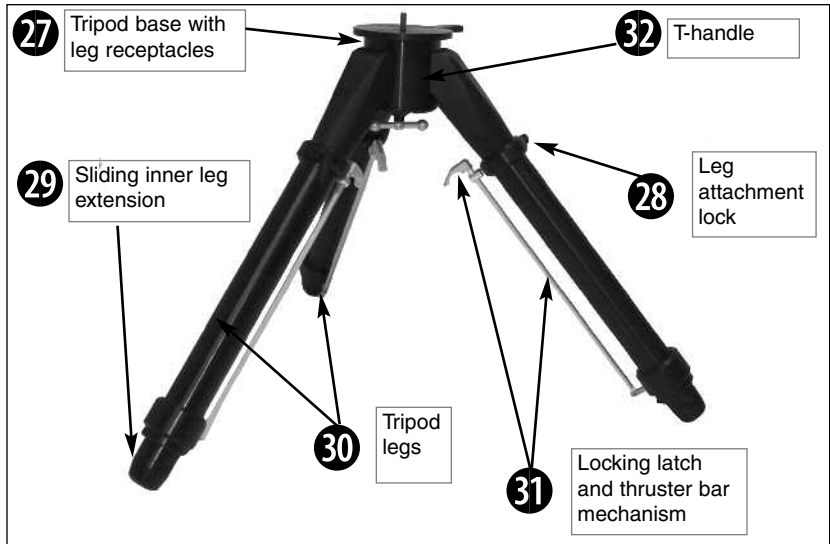


Fig. 1c: The Tripod.

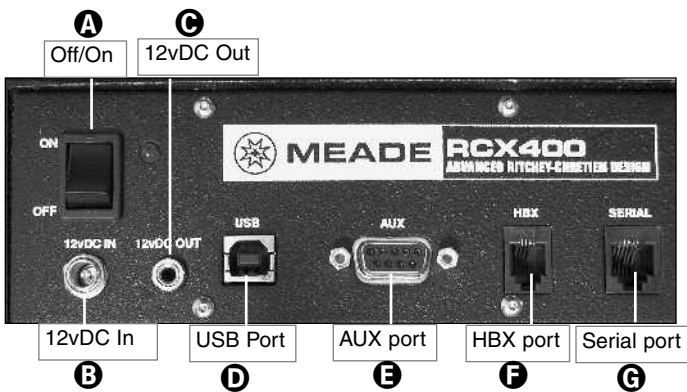


Fig. 1d: The Base Computer Control Panel.

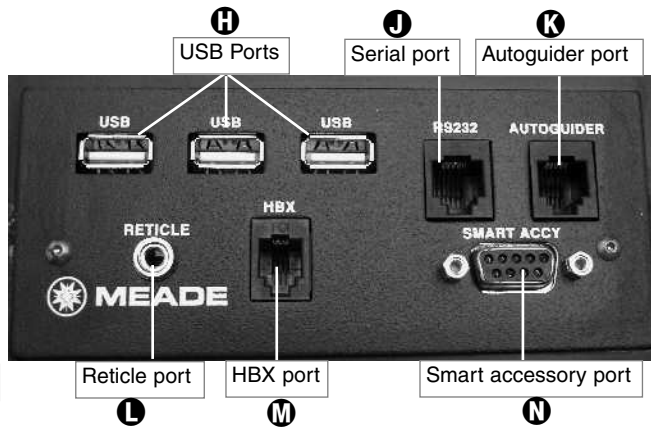


Fig. 1e: The Optical Tube Assembly (OTA) Computer Control Panel.

**Caution:**

Using products other than standard Meade accessories may cause damage to the telescope's internal electronics and may void the Meade warranty.

1 Want to learn more about the **eyepieces available for your RCX400 telescope**? See **OPTIONAL ACCESSORIES**, pages 48, 49, and 50.

1 Want to learn more about **focusing your telescope**? See page 19.

7 Want to learn how to **install the batteries**? See page 16.

8 Want to learn more about the **Right Ascension and Declination setting circles**? See page 57.

## RCX400: YOUR PERSONAL WINDOW TO THE UNIVERSE

The Meade RCX400 models are extremely versatile, high-resolution telescopes. With high-precision optics, pushbutton controls, precise GPS alignment, true-level and North electronic sensors, automatic tracking of celestial objects, periodic error correction for both axes, and a library of 145,000+ objects in the AutoStar II data base, the RCX400 models offer observatory-level performance.

Observe the feather structure of an eagle from 50 yards or split a difficult double star. Focus beyond the Solar System on ancient star clusters, remote galaxies, and stars recently discovered to have planets orbiting about them. Meade RCX400 telescopes are capable of meeting the requirements of the most demanding advanced observer.

- 1 **Eyepiece:** Place the 2", 6-element UltraWide 24mm eyepiece into the diagonal mirror (3, Fig. 1a) and tighten in place with the diagonal mirror's thumbscrew (2, Fig. 1a). The eyepiece determines the magnification of the image collected in the optical tube.
- 2 **2" Diagonal Mirror and Eyepiece Thumbscrew:** Provides a more comfortable right angle viewing position. The eyepiece thumbscrew tightens the eyepiece (1, Fig. 1a) in place. Tighten to a firm feel only.
- 3 **Rear Cell Port and 2" Visual Back:** The visual back threads onto the rear cell. The diagonal mirror slides into the visual back and is secured by the visual back thumbscrew.
- 4 **Base Computer Control Panel** (see 9):
  - A. **ON/OFF Switch:** Turns both computer control panels and AutoStar II ON or OFF. The red power indicator LED next to the switch illuminates when power is supplied to the panel and the AutoStar II handbox.
  - B. **12vDC In:** Provides a connection so that the telescope assembly may be powered from a standard 115v AC home outlet using the optional RCX AC Wall Adapter with Cable or the optional 12v DC #607 Cigarette Lighter Adapter. See **OPTIONAL ACCESSORIES**, pages 48 - 50.
  - C. **12vDC Out:** Use the 12vDC output to power telescope accessories. This port may be turned on or off with the Aux Port Power option in the Utilities menu. On is the default value.
  - D. **USB 2.0 High Speed Port:** Provides a connection for a USB 2.0 device. This port is typically used to connect to a PC.
  - E. **AUX Port:** Provides connection for current Meade accessories. See **OPTIONAL ACCESSORIES**, pages 48 - 50.
  - F. **Handbox (HBX) Port:** Plug the AutoStar II coil cord into this port.
 

**Important Note:** Although both the Base Computer Control Panel and the OTA Computer Control Panel include an HBX port, only one handbox maybe be plugged in at a time; you cannot plug handboxes into both ports at the same time.
  - G. **Serial Port:** Provides connection with a PC and for current and future Meade accessories. Your PC can control your RCX400 telescope using serial commands. Go to the Meade website ([www.meade.com](http://www.meade.com)) to download the latest serial commands and device pinouts.
 

**Important Note:** Although both the Base Computer Control Panel and the OTA Computer Control Panel include a serial port, only one may be used at a time; you cannot plug into both ports at the same time.
- 5 **Handles:** Use to lift optical tube assembly or to rotate the telescope when attached to the tripod. Attach the AutoStar II handbox holder to one of the handles (5, Fig. 1a).
- 6 **Left Fork Arm:** The left side of the heavy-duty mount that holds the optical tube securely in place (see 15).
- 7 **Battery Compartments:** Insert four user-supplied C-cell batteries into each compartment (one compartment on each fork arm; eight batteries total).
- 8 **Right Ascension (R.A.) Slow-Motion Control:** Make fine adjustments in the Right Ascension, i.e., the horizontal axis, by turning this control with the R.A. Lock (see

### Definitions

Throughout this manual, you will notice the terms "Alt/Az," "Right Ascension," and "Declination." Alt/Az or more properly, altitude-azimuth (or altazimuth), is frequently used to refer to altitude or Declination (the up-and-down vertical movement of the telescope) and azimuth or Right Ascension (the side-to-side horizontal movement of the telescope). Right Ascension is abbreviated as "R.A." and Declination as "Dec."

### Caution:

When loosening the Dec. lock, be sure to support the optical tube (19, Fig. 1a). The weight of the tube could cause the tube to swing suddenly.

- ⑩) in the unlocked position. Set the R.A. Lock to a "partially locked" position to create a comfortable drag for the R.A. Slow Motion Control.  
**Caution:** Do not operate the R.A. Slow Motion Control with the R.A. Lock in the fully locked position, as such operation may result in damage to the internal gear system and also cause you to lose alignment.
- ⑨ Optical Tube Assembly (OTA) Computer Control Panel (also see ④):
- H. USB Port:** Provides 3 connections for USB 2.0 devices. This port is typically used to connect to CCD cameras, such as Meade's LPI or Deep Sky Imager. See **OPTIONAL ACCESSORIES**, pages 48 - 50. Your PC can control your RCX400 telescope using serial commands. Go to the Meade website ([www.meade.com](http://www.meade.com)) to download the latest serial commands and device pinouts.
  - J. Serial Port:** Provides connection with a PC and for current and future Meade accessories. Your PC can control your RCX400 telescope using serial commands. Go to the Meade website ([www.meade.com](http://www.meade.com)) to download the latest serial commands and device pinouts.  
**Important Note:** Although both the Base Computer Control Panel and the OTA Computer Control Panel include a serial port, only one may be used at a time; you cannot plug into both ports at the same time.
  - K. Autoguider Port:** Plug the optional autoguider into this port. See the instruction sheet that came with your autoguider for more information. Also see **OPTIONAL ACCESSORIES**, pages 48 - 50.
  - L. Reticle Port:** Plug the optional reticle eyepiece into this port. Control the reticle through the AutoStar II menus. See **HOT BUTTON MENUS** page 36. Also see **OPTIONAL ACCESSORIES**, pages 48 - 50.  
**Note:** See the instruction sheets that are included with the reticle and the autoguider for more details.
  - M. Handbox (HBX) Port:** Plug the AutoStar II coil cord into this port.  
**Important Note:** Although both the Base Computer Control Panel and the OTA Computer Control Panel include an HBX port, only one handbox maybe be plugged in at a time; you cannot plug handboxes into both ports at the same time.
  - N. Smart Accessory Port:** Provides connection for future Meade accessories.
- ⑩ **GPS Receiver:** Receives information transmitted from Global Positioning System satellites. See page 25 for more information.
- ⑪ **Declination (Dec.) Setting Circle (on left fork arm):** See **APPENDIX A**, page 57, for detailed information.
- ⑫ **Mounting Base:** Attach to the tripod base (see ⑦). See page 16 for mounting instructions.
- ⑬ **Right Ascension (R.A.) Lock:** Controls the manual horizontal rotation of the telescope. Turning the R.A. lock counterclockwise unlocks the telescope, enabling it to be freely rotated by hand about the horizontal axis. Turning the R.A. lock clockwise locks the telescope, prevents the telescope from being rotated manually, and engages the horizontal motor drive for AutoStar II operation.
- ⑭ **AutoStar II Handbox and Tilttable Holder:** Controls all the electronic functions of the telescope. See pages 13 - 15 for detailed information. You may have noticed that there is no manual focus knob; all focus is achieved by Using the AutoStar handbox. Attach the holder to one of the handles (see ⑤). Holds your handbox in a convenient location.
- ⑮ **Right Fork Arm:** The right side of the heavy-duty mount that holds the optical tube securely in place (see ⑥).
- ⑯ **Declination (Dec.) Slow-Motion Control:** Make fine adjustments in Declination(altitude) by turning this control with the Dec. Lock (see ⑰ below) in the locked position. In order for this control to operate properly, power must be off.
- ⑰ **Dec. Lock:** Controls the manual vertical movement of the telescope. Turning the Dec. lock counterclockwise unlocks the telescope enabling it to be freely rotated by hand about the vertical axis. Turning the Dec. lock clockwise (to a firm feel

21 *Want to learn more about **attaching and aligning the viewfinder**? See page 18.*

only) prevents the telescope from being moved manually, but engages the vertical motor drive for AutoStar II operation.

- 18 **Dust Cover:** Gently pry the dust cover from the front lens of the telescope.  
*Note: The dust cover should be replaced after each observing session and the power turned off to the telescope.*
- 19 **Optical Tube:** The main optical component that gathers the light from distant objects and brings this light to a focus for examination through the eyepiece. The tube contains the primary mirror which floats on a layer of adhesive that results in zero-stress to the glass and no distortion to the optics.
- 20 **Fan:** AutoStar controls the fan operation. The amount of time required to stabilize the temperature will be dependent upon ambient conditions including the observation site and preexisting condition of the telescope. The fan should be activated at the beginning of the observation session to accelerate the temperature stabilization. As soon as the optics have reached an equilibrium with the environment the fan should be turned off. Fan operation time should range between 5 and 25 minutes. While it is permissible to run the fan continuously it is not recommended because the very slight vibration of the fan may cause noticeable movement of the objects observed in the sensitive optics.

### The Viewfinder

- 21 **8 x 50mm Viewfinder:** A low-power, wide-field sighting scope with crosshairs that enables easy centering of objects in the telescope eyepiece.
- 22 **Viewfinder Objective Lens:** Gathers the light for the viewfinder.
- 23 **Viewfinder Locking Ring:** Locks the objective lens into place. Unlock to adjust the focus of the objective lens. See page 18 for details.
- 24 **Viewfinder Adjustment Screws:** Use these six screws to adjust the alignment of the viewfinder.
- 25 **Viewfinder Eyepiece/Focuser:** The eyepiece magnifies the image collected by the viewfinder's objective lens. Rotate the eyepiece to focus.
- 26 **Viewfinder Bracket and Mounting:** Holds the viewfinder in place.

### The Tripod

- 27 **Tripod Base with Leg Receptacles:** Attach the mounting base (see 12) to the tripod base. See page 16 for mounting instructions. Slide the tripod legs into the leg receptacles.
- 28 **Leg Attachment Lock:** Secures the tripod legs into the leg receptacles.
- 29 **Sliding Inner Leg Extension:** Inner leg extension slides in or out to adjust the tripod height.
- 30 **Variable Height Tripod Legs:** Supports the optical tube assembly.
- 31 **Locking Latch and Thruster Bar:** Lift latch to release inner leg extensions. Let go of latch to lock inner extension in place. See page 16 for mounting instructions. Also see **Fig. 8**.
- 32 **T-Handle:** Thread into the mounting base and tighten to a firm feel to keep the tripod stable.

# AUTOSTAR II FEATURES

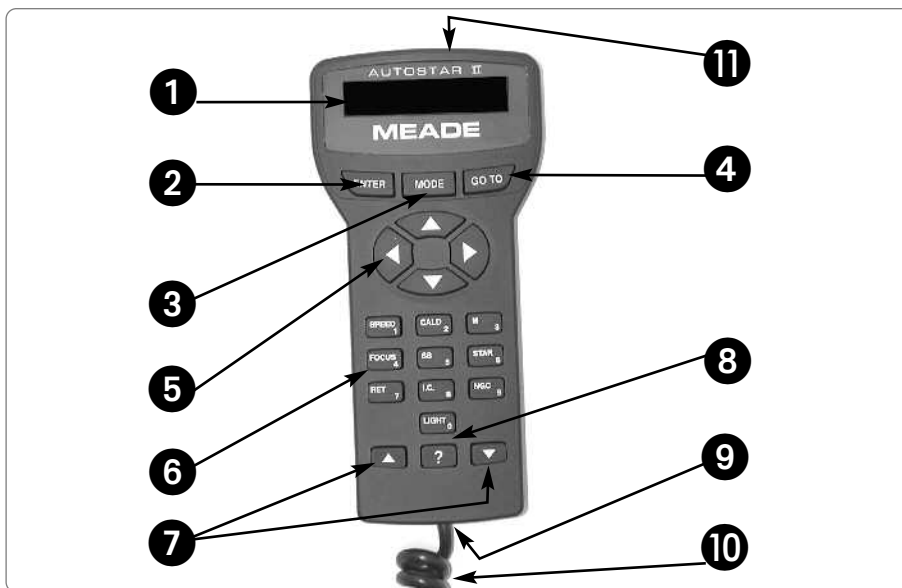


Fig. 2: The Autostar II Handbox.

## Tour the Cosmos with Just the Push of a Button

Control of the RCX400 telescope models is through the operation of the standard Autostar II system. Nearly all functions of the telescope are accomplished with just a few pushes of Autostar II's buttons.

Because the Autostar II system uses flash (rewritable) memory, your system will be able to grow when new features and enhancements become available. Download the latest satellite data, star and object catalogs, tours, serial commands list, and software revisions, directly from the Meade website ([www.meade.com](http://www.meade.com)). (Requires the optional RCX400 Interface Cable. See **OPTIONAL ACCESSORIES**, pages 48 - 50.)

Some of the major features of the Autostar II system are:

- Automatically move the telescope to any of the more than 180,000 objects stored in the object library, including:

Library	# of Objects
New General Catalog (NGC):	7,840
Index Catalog (IC):	5,386
Messier Catalog (M):	110
Caldwell Catalog:	109
Named Objects:	227
Herschel Catalog:	400
Abell Catalog of Galaxy Clusters:	2,712
Arp Catalog of Irregular Galaxies:	645
Uppsala Galaxy Catalog:	12,940
Morphological Catalog of Galaxies:	12,939
General Catalog of Variable Stars:	28,484
SAO:	17,191
Hipparcos Star Catalog:	17,325

....plus the Lunar 100, the Washington Star Catalog, the Gliese Catalog, and more!

- Focus your telescope's eyepiece.
- Take a guided tour of the best celestial objects to view on any given night of the year.
- Control your RCX400 with your PC using an RS232 or USB interface.
- Align your telescope automatically using GPS (Global Positioning System).
- Access a glossary of astronomical terms.
- Mount the telescope in the "Alt/Az" mode (i.e., altitude—azimuth, or vertical—horizontal mode) for fully automatic tracking of celestial objects.
- Collimate your telescope using only AutoStar II's Arrow keys.

Want to learn more about downloading the latest updates of Autostar II software from the Meade website? Go to [www.meade.com/support/auto.html](http://www.meade.com/support/auto.html) for complete instructions. Also see page 43.

The Autostar II system provides control of virtually every telescope function. The Autostar II handbox has soft-touch keys designed to have a positive feel. The LCD (Liquid Crystal Display) is backlit with red LEDs (Light Emitting Diodes) for easy viewing in the dark. The backlit display, key arrangement, and sequential menu structure make Autostar II extremely user friendly.

- 1 **2-Line LCD Display:** This screen displays Autostar II's menus and information about the telescope.
  - **Top line:** Lists the primary menu.
  - **Bottom line:** Displays other menus that may be chosen, menu options, telescope status, or information about a function that is being performed.

- 2 **ENTER Key:** Press to go to the next menu level or to choose an option in a menu. The ENTER key is similar to the RETURN or ENTER key on a computer. See **MOVING THROUGH AUTOSTAR II'S MENUS**, page 22 and **BASIC AUTOSTAR II OPERATION**, pages 26 - 27

- 3 **MODE Key:** Press to return to the previous menu or data level. The top menu level is "Select Item." The MODE key is similar to the ESCAPE key on a computer.

*Note: Pressing MODE repeatedly while in the "Select Item" level moves Autostar II to the topmost screen: "Select Item: Object."*

*Note: If MODE is pressed and held for two seconds or more, information about the telescope's status displays. When the status displays, press the Scroll keys (7, Fig. 2) to display the following information:*

- Right Ascension and Declination (astronomical) coordinates
- Altitude (vertical) and Azimuth (horizontal) coordinates
- Local Time and Local Sidereal Time (LST)
- Timer and Alarm Status
- Date
- Site coordinates
- Battery status

*Press MODE again to return to the previous menu.*

- 4 **GO TO Key:** Press to slew (move) the telescope to the coordinates of the currently selected object. While the telescope is slewing, the operation may be aborted at any time by pressing any key except GO TO. Pressing GO TO again resumes the slew to the object. Also, press during the alignment or GO TO procedures to activate a "spiral search."

- 5 **Arrow Keys:** The Arrow keys have several functions. Press an Arrow key to slew the telescope in a specific direction (up, down, left, and right), at any one of nine different speeds. See **SLEW SPEEDS**, page 21. Use the Up and Down Arrow keys to move the telescope vertically up and down. The Left Arrow key rotates the telescope horizontally counterclockwise, while the Right Arrow key rotates it clockwise (unless reversed for Southern Hemisphere use).

Also, use the Arrow keys to scroll through numbers 0 through 9 and the alphabet. The Down Arrow key begins with the letter "A;" the Up Arrow key begins with digit "9."

Additionally, use the Arrow keys to move the cursor across the display: Use the Right or Left Arrow key (5, Fig. 2) to move the cursor from one number to the next in the display.

- 6 **Number Keys:** Press to input digits 0 to 9. Each Number key also has a specific function, which is printed on each key (these are commonly known as "hot buttons"—see page 36):

- 1 **SPEED:** Changes the slew speeds. To operate, press Speed and then a Number key (1 is the slowest speed, 9 is highest speed).
- 2 **CALD** (Caldwell): Press to display the Caldwell catalog on the Autostar II handbox.
- 3 **M** (Messier): Press to display the Messier catalog library.

4 Want to learn more about using the **GO TO function**? See page 24.  
Want to learn how to perform a **spiral search**? See page 24.

**SPEED** 1 Want to learn more about **changing slew speeds**? See page 21.

FOCUS  
4

Want to learn more about the **Focus menu**? See page 19.

RET  
7

Want to learn more about the **Reticle menu**? See page 36.

**Tip:**

When an **astronomical term** appears in [brackets], press ENTER for a definition or more detailed information. Press MODE to return to the scrolling Autostar II Help display.

If a **celestial object's name** appears in brackets (and your telescope is aligned), press ENTER and then GO TO to slew the telescope to the object.

- 4 FOCUS:** Toggles between two functions. The first press allows you to change the focus and focus speed. The next press allows you to create presets that tell the telescope where to focus.
- 5 SS:** Press to display the Solar System library.
- 6 STAR:** Press to display the Star library.
- 7 RET (Reticle):** Press to display the Reticle Control menu.
- 8 IC:** Press to display the Index Catalog library.
- 9 NGC (New General Catalog):** Press to display the NGC catalog library.
- 0 LIGHT:** Press to turn on and off the red utility light on the top of the hand-box.

- 7 Scroll Keys:** Press to access options within a selected menu. The menu is displayed on the first line of the screen. Options in the menu are displayed, one at a time, on the second line. Press the Scroll keys to move through the options. Press and hold a Scroll key to move quickly through the options.

The Scroll keys also control the speed of text scrolling on the Autostar II display. When text is scrolling, press and hold the Up Scroll key for a faster display speed and the Down Scroll key for a slower display speed.

- 8 ? Key:** Press to access the "Help" file. "Help" provides on-screen information on how to accomplish whatever task is currently active.

Press the ? key and then follow the prompts on the display to access details of Autostar II functions in the Help feature. The Help system is essentially an on-screen instruction manual.

If you have a question about an Autostar II operation, e.g., INITIALIZATION, ALIGNMENT, etc., press the ? key and follow the directions that scroll on the second line. When satisfied with the Help provided, press MODE to return to the original screen and continue with the chosen procedure.

- 9 Coil Cord Port:** Plug one end of the Autostar II coil cord (10, Fig. 2) into this port located at the bottom of the Autostar II handbox.

- 10 Coil Cord:** Plug one end of the Autostar II coil cord into the HBX port (F, Fig. 1d) of the computer control panel of the telescope and the other end into the Autostar II coil cord port. See 9 above.

- 11 Utility Light:** Use this built-in red light to illuminate star charts and accessories without disturbing your eye's adaptation to darkness. Press "0" to turn the light on and off.

## RCX400 TIPS

### Join an Astronomy Club, Attend a Star Party

One of the best ways to increase your knowledge of astronomy is to join an astronomy club. Check your local newspaper, school, library, or telescope dealer/store to find out if there's a club in your area.

At club meetings, you will meet other astronomy enthusiasts with whom you will be able to share your discoveries. Clubs are an excellent way to learn more about observing the sky, to find out where the best observing sites are, and to compare notes about telescopes, eyepieces, filters, tripods, and so forth.

Often, club members are excellent astrophotographers. Not only will you be able to see examples of their art, but you may even be able to pick up some "tricks of the trade" to try out with your RCX400 telescope. See page 45 for more information about photography with the RCX400.

Many groups also hold regularly scheduled Star Parties at which you can check out and observe with many different telescopes and other pieces of astronomical equipment. Magazines such as *Sky & Telescope* and *Astronomy* print schedules for many popular Star Parties around the United States and Canada.

# GETTING STARTED

## Parts Listing

Getting the telescope ready for first observations requires only a few minutes. When first opening the packing box, note carefully the following parts:

- RCX400 Telescope with fork mount system and GPS Receiver
- AutoStar II handbox and interface coil cord; handbox holder
- 8 x 50mm viewfinder assembly
- 2" diagonal mirror and 2" visual back barrel
- Series 5000 UltraWide 24mm eyepiece
- Variable height tripod
- USB cable and software CD ROM

## How to Assemble the Tripod

Remove the parts of the tripod from the shipping carton. Assembly of the tripod will take just a few minutes.

### To assemble the tripod:

1. Slide a leg (1) into a leg receptacle (Fig. 7), making sure that the screw (3) in the leg (Fig. 8) slides into the groove (4) on the receptacle (Fig. 9).
2. Rotate the leg attachment lock (6) and tighten to a firm feel.
3. Press and hold down the trigger release lever (5) slide the tripod leg to the desired length (thereby setting the height of the tripod). See Fig. 11. Let go of the trigger when the tripod leg is at the desired length.
5. Repeat steps 1 through 4 for the other two tripod legs. The tripod should now be stable.

## How to Assemble Your Telescope

The telescope's fork mounting base attaches directly to the tripod. The telescope in this way is mounted in an "altazimuth" ("altitude-azimuth," or "vertical-horizontal") format. It is recommended that two people attach the mount to the tripod.

**Caution for 12" and 14" model users:** Due to the weight and size of these products, please use extreme caution whenever assembling, disassembling, lifting, transporting or storing these products. Two or more persons should always be used whenever performing any of these tasks. Disregard for the above warning could result in serious injury or death.

**Note:** The field tripod also can be used in conjunction with the optional equatorial wedge (see your wedge's instruction sheet for more information) for long exposure astrophotography.

The tripod base comes with a tangent arm attached for use with the superwedge.

### To attach the mount:

1. Take note of the T-handle under the tripod base. The T-handle is spring-mounted into position. Note also that there is a hole on the bottom side of the mount base.
2. Lift the mount and position the mount base over the tripod base. Line up the hole on the mount base over the T-handle rod. When they are lined up, place the mount down onto the rod and the rod will "pop up" into the hole (Fig. 12).
3. Rotate the T-handle until the rod is tightened to a firm feel (Fig. 13).

### To install the batteries:

Assembly of the RCX400 telescope requires eight C-cell (user-supplied) batteries or the optional RCX AC Wall Adapter to a standard 115v home outlet. Plug the adapter into the 12vDC In port of the computer control panel (B, Fig. 1d).

1. Turn the Dec. lock (17, Fig. 1a) counterclockwise to unlock the the optical tube (19, Fig. 1a). Move the optical tube to the position depicted in Fig. 1a and turn the Dec. lock clockwise to a firm feel to relock the position of the optical tube.
2. Remove the battery compartment covers (7, Fig. 1a) and carefully remove the battery holders, being mindful of the connector wires (Fig. 15). Insert four user-supplied C-cell batteries into each battery holder, oriented as shown on the diagram on the battery slots inside the battery holder. Return the battery holders to their respective compartments and replace the covers.

**Caution:** Use care to install batteries as indicated by the battery

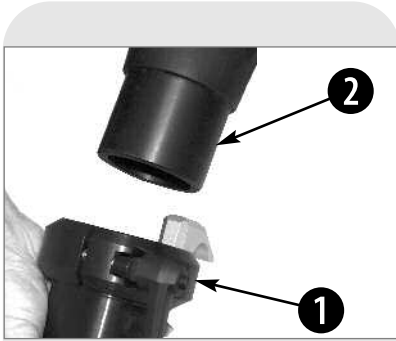


Fig. 7: Attach leg (1) to leg receptacle (2).

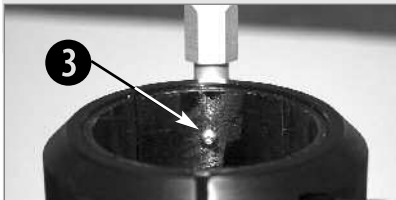


Fig. 8: Slide the screw (3)...

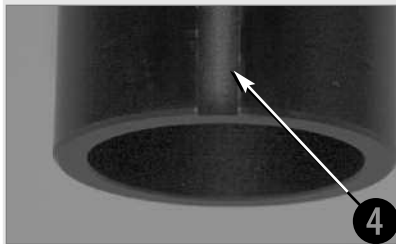


Fig. 9: ... into groove on the receptacle (4).



Fig. 10: Tighten the leg adjustment lock (6).

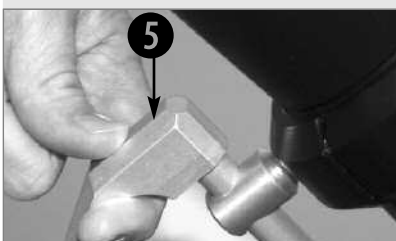
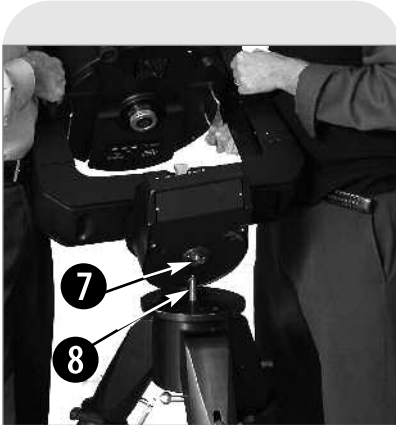
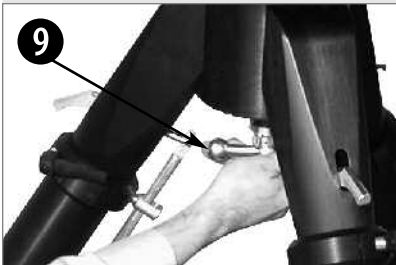


Fig. 11: Lift the trigger lever (5) so that you can adjust the height of the tripod leg.

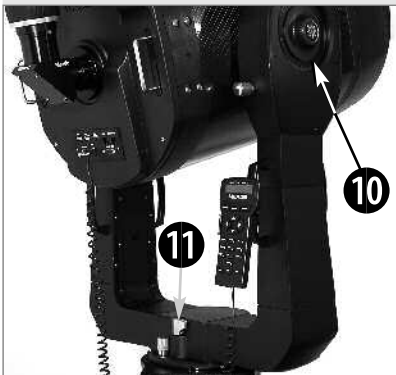




**Fig. 12:** Line up the T-handle rod (8) with the hole on the base (7).



**Fig. 13:** Tighten the T-handle (9) to a "firm feel."



**Fig. 14:** Loosen the R.A. (11) and Dec. (10) locks to move the optical tube from its shipping position.



**Fig. 15:** Battery installation.

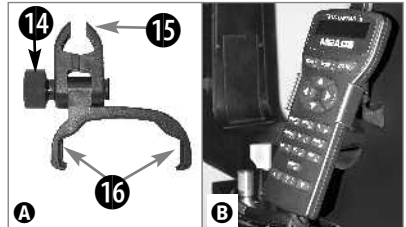
compartment. Follow battery manufacturer's precautions. Do not install batteries backwards or mix new and used batteries. Do not mix battery types. If these precautions are not followed, batteries may explode, catch fire, or leak. Improperly installed batteries void your Meade warranty. Always remove the batteries if they are not to be used for a long period of time.

**To attach AutoStar II and connect the handbox holder**

1. **Plug in the AutoStar II handbox:** Check



**Fig. 16:** Locations of the On/Off switch and the HBX port on the Computer Control Panel located on the base of the telescope.



**Fig. 17a:** Handbox holder: (14) Lock knob; (15) Clamp; (16) Holder.  
**Fig. 17b:** Handbox holder attached to fork arm handle.

that the power switch on the computer control panel (12, Fig. 16) is in the OFF position. Plug the coil cord of the AutoStar II handbox into the HBX port of the base control panel (13, Fig. 16) or the HBX port of the OTA control panel (M, Fig. 1e).

**Note:** The AutoStar II handbox does not require batteries; the batteries in the telescope supply the power.

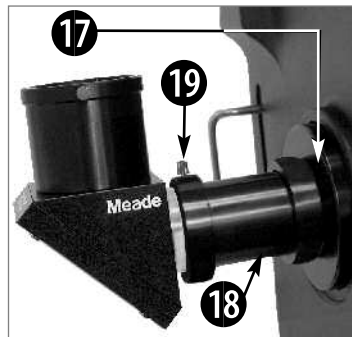
**Note:** You can only plug one handbox into the telescope at a time; you cannot plug in two handboxes into the two control panels at the same time.

2. **Attach the handbox holder:** Remove the handbox holder from the plastic bag. If necessary, loosen the lock knob (14, Fig. 17a) and place the clamp (15, Fig. 17a) about one of the fork arm handles (15, Fig. 1a). Tighten the lock knob to a firm feel. Slide the AutoStar II handbox into the holder (16, Fig. 17a). You may also snap the handbox into the holder: Slide one side of the handbox into the holder and then firmly press the other side of the handbox into the holder until it snaps in place. Adjust the tilt of the holder by loosening the lock knob and then moving the holder clamp to the desired angle. Retighten the lock knob.

**To attach the diagonal mirror and the eyepiece**



**Fig. 18:** Rear cell (17).

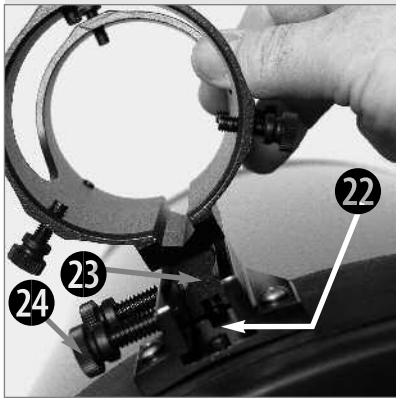


**Fig. 19:** Thread the ring of the visual back (18) onto the rear cell (17). Slide diagonal into the visual back and secure with thumbscrew (19).



**Fig. 20:** Slide eyepiece (20) into the diagonal mirror and tighten thumbscrew (21).

1. **Attach Visual back and Diagonal mirror:** Thread the ring of the visual back over the rear cell and rotate the ring, tightening to a firm feel (see Figs. 18 and 19). Slide the diagonal into the visual back and secure it in place using the visual back thumbscrew.



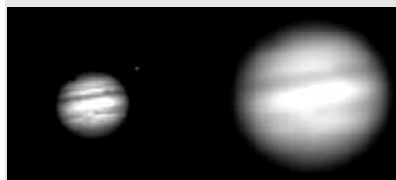
**Fig. 21:** Viewfinder bracket assembly: Slide the track (23) into the mounting slot (22). Tighten the thumbscrews (24) to secure.



**Fig. 22:** 8x50 Viewfinder tube: Objective lens (25), eyepiece/focuser (26) and locking ring (27).



**Fig. 23:** Viewfinder adjustment screws (28).



**Fig. 24a & 24b:** Jupiter; examples of the right amount of magnification and too much magnification.

2. Insert eyepiece: Remove the UltraWide 24mm eyepiece from its container and slide it in the diagonal mirror. Tighten the thumbscrew (**Fig. 20**) located on the diagonal mirror to a firm feel only.
3. Remove dust cover: Remove the dust cover (**18, Fig. 1a**) from the optical tube assembly by gently prying it off.

## Mounting and Focusing the Viewfinder for the First Time

The first time you mount and focus the viewfinder, follow these steps:

1. Slide the track on the bottom of the viewfinder bracket into the slot in the viewfinder mounting assembly. See **Fig. 21**. To secure the viewfinder to the mounting assembly, tighten the two thumbscrews to a firm feel only.
2. Slide the viewfinder tube (see **Fig. 22**) into the viewfinder bracket. Loosely tighten the adjustment screws (see **Fig. 23**). You will use the adjustment screws to align the viewfinder (see the next section below).
2. Look through the viewfinder. Rotate the eyepiece/focuser until you sharply focus the crosshairs.
3. Loosen (rotate clockwise) the objective lens locking ring.
4. Rotate the objective lens until you sharply focus on an object located at infinity.
5. Tighten the locking ring.
6. You may now rotate the eyepiece to focus on objects.

## Aligning the Viewfinder

To align the viewfinder, perform steps 1 through 4 during the daytime; perform step 5 at night.

1. If you have not already done so, insert the UltraWide 24mm eyepiece into the diagonal mirror.
2. Unlock the R.A. (**13, Fig. 1a**) and Dec. (**17, Fig. 1a**) locks so that the telescope moves freely on both axes.
3. Point the telescope at some well-defined and stationary land object at least 200 yards distant, such as the top of a telephone pole or street sign. Center the object in the telescope eyepiece. Re-tighten the R.A. and Dec. locks.
4. Look through the viewfinder eyepiece and loosen or tighten, as appropriate, one or more of the viewfinder adjustment screws (see **Fig. 23**) until the viewfinder crosshairs are precisely centered on the object you previously centered in the telescope eyepiece.
5. Check this alignment on a celestial object, such as the Moon or a bright star, and make any necessary refinements, using the method outlined in steps 2 through 4.

**Note:** Seeing conditions vary widely from night-to-night and site-to-site. Turbulence in the air, even on an apparently clear night, can distort images. If an image appears fuzzy and ill-defined, back off to a lower power eyepiece for a more well-resolved image (see **Fig. 24a and 24b**).

## RCX400 TIPS

### Too Much Power?

Can you ever have too much power? If the type of power you're referring to is eyepiece magnification, yes, you can! The most common mistake of the beginning observer is to "overpower" a telescope by using high magnifications which the telescope's aperture and atmospheric conditions cannot reasonably support. Keep in mind that a smaller, but bright and well-resolved image is far superior to one that is larger, but dim and poorly resolved (see **Figs. 24a and 24b**). Powers above 400X should be employed only under the steadiest atmospheric conditions.

Autostar II can calculate the best eyepiece for you to use. Try out the "Eyepiece Calc" feature in the Utilities menu.

Most observers should have three or four additional eyepieces to achieve the full range of reasonable magnifications possible with the RCX400 telescopes. See **OPTIONAL ACCESSORIES**, pages 48 - 50.

# OBSERVING

## Important Note:

Objects appear upside-down and reversed left-for-right when observed in the viewfinder. Objects viewed through the telescope eyepiece when inserted into the diagonal prism assembly appear right-side-up, but reversed left-for-right.

This image inversion is of no consequence when observing astronomical objects and, in fact, all astronomical telescopes yield inverted images.

During terrestrial observing, where a fully-correctly-oriented image (right-side-up and correct left-for-right) is desirable, an optional #928 45° Erecting Prism and optional 1.25" eyepiece holder are available. See **OPTIONAL ACCESSORIES**, pages 48 - 50.

## Choosing an Eyepiece

A telescope's eyepiece magnifies the image formed by the telescope's main optics. Each eyepiece has a focal length, expressed in millimeters, or "mm." The smaller the focal length, the higher the magnification. *For example:* An eyepiece with a focal length of 9mm has a higher magnification than an eyepiece with a focal length of 26mm.

Your telescope comes supplied with an UltraWide 24mm eyepiece which gives a wide, comfortable field of view with high image resolution.

Low power eyepieces offer a wide field of view, bright, high-contrast images, and eye relief during long observing sessions. To find an object with a telescope, always start with a lower power eyepiece such as the UltraWide 24mm. When the object is located and centered in the eyepiece, you may wish to switch to a higher power eyepiece to enlarge the image as much as practical for prevailing seeing conditions. For information about optional eyepieces for your telescope, see **OPTIONAL ACCESSORIES**, pages 48 - 50.

The power, or magnification of a telescope is determined by the focal length of the telescope and the focal length of the eyepiece being used (an eyepiece's focal length is printed on the side of the eyepiece). To calculate eyepiece power, divide the telescope's focal length by the eyepiece's focal length. *For example:* A 24mm eyepiece is supplied with RCX400 models. The focal length of the 12" f/8 RCX400 is 2438mm (see **SPECIFICATIONS**, pages 54 - 56).

$$\text{Eyepiece Power} = \text{Telescope focal length} \div \text{Eyepiece focal length}$$

$$\text{Eyepiece Power} = 2438\text{mm} \div 24\text{mm}$$

$$\text{Eyepiece Power} = 102$$

The eyepiece power, or magnification is therefore 102X (approximately).

**Note:** For a list of magnification ratings of the eyepieces available for the RCX400 telescopes, see **OPTIONAL ACCESSORIES**, pages 48 - 50.

## Focusing the Telescope

All focusing of the RCX400 is performed digitally, using AutoStar II's Focus key (number key 4). The Focus key functions as a toggle key:

- Press the Focus key the first time to focus the telescope eyepiece and to control the speed at which you focus.
- Press the Focus key again to set and adjust up to nine focus presets.

### To change the focus speed:

1. Press the Focus key once. "Focuser: Fast (or the current speed)" displays for two seconds. Use one of the Scroll keys to scroll through the list of 4 available focus speeds: Fast, Medium, Slow, Fine. Scroll through the list until the speed you desire displays. Choose a focus speed with which you feel comfortable.

### To focus the telescope eyepiece:

1. Press the Focus key once. "Focuser: Fast (or the current speed)" displays. After two seconds, "Focuser: Position = XX" displays. "XX" stands for a number value in decimal millimeters.
2. Point the telescope at a distant object. Look in the eyepiece and use the Arrow keys until the image in the eyepiece is in sharp focus.

### Presets:

If you "Park" your telescope, you do not have to refocus the telescope each time you use it. Nine preset focus positions are available, and they operate much like presets on a car radio—everyone can have their own favorite station, or in this case, their own personalized focus. You can set one preset to take into account your own eyesight, one for your observing partner (who may wear glasses), one for your camera's focus, and so forth.

Three preset menus are available. Use the Define Preset menu to assign a preset, use the GoTo Preset menu to select a preset you have previously assigned, and use



**Fig. 25:** Focus is all-digital, using the Focus key (the #4 Number key) of the AutoStar II handbook.

Sync On Preset menu if **you do not park** your telescope (this menu will reset all your focus presets after you turn off and turn on your scope again ).

**To define a preset:**

1. Point the telescope at a distant object, press FOCUS and use the Up and Down Arrow keys to focus the telescope until the object is sharply focused as previously explained.
2. Press the Focus key again (FOCUS toggles between the Focus menu and the Preset menu). "Focuser Preset: Go To" displays. Use a Scroll key and scroll down the list of options until "Focuser Preset: Define Preset" displays. Press ENTER.
3. A list of presets displays. If no preset is currently assigned, "1- Unnamed" displays (followed by 2- Unnamed, up to 9 - Unnamed).
4. Use the up and down Scroll keys to scroll through the alphabet and the right and left Arrow keys to move to cursor right or left across the display.
5. When you have finished typing in a name and focusing the telescope, press ENTER. That number preset is now defined. You can enter 9 names. For example, you may enter "Joe," "Jill," "Deep Sky Imager" and so forth.
6. To select one of these presets, you will use the "Focuser Preset: Go To" menu.

**To select a previously defined focus preset**

1. Press the Focus key twice. "Focuser Preset: Go To Preset" displays. Press ENTER to select this menu.
2. Use a Scroll key and scroll down the list of previously defined presets. When the desired preset displays (for example, "Deep Sky Imager"), press ENTER.

**Important Note:** *If you do not park your telescope, you will need to select one of the presets and refocus your telescope using the Sync On menu. See **TO SYNC ON A FOCUS PRESET** below.*

**To sync on a focus preset**

If **you park your telescope**, AutoStar II remembers all the focus positions you defined as presets and you will not need this menu.

If **you do not park your telescope**, you will need to select just one of the presets and refocus your telescope using the Sync On menu. Then AutoStar II will then reset all the other presets back to the focus preset positions you previously defined.

1. Press the Focus key twice. "Focuser Preset: Go To Preset" displays. Use a Scroll key and scroll until "Focuser Preset: Sync On Preset" displays and press ENTER to select this menu.
2. Use a scroll key to choose one of the previously entered presets from this list (the most likely preset you will choose will be one that accounts for your own eyesight).
3. Use the Up or Down Arrow keys to focus the eyepiece.
4. Press ENTER. AutoStar II now "remembers" the relative focus positions of the eyepiece. You can now choose any preset and it will be correctly focused.

**To exit the focus operation at any time:**

1. Press MODE.

**Observing by Moving the Telescope Manually**

If you wish to observe a distant land object, such as a mountain top or a bird, you can observe by merely pointing the telescope and looking through the eyepiece.

1. Loosen the telescope's R.A. lock (**13, Fig. 1a**) and Dec. lock (**17, Fig. 1a**).
2. Move your telescope to observe distant street signs, mountains, trees, and other structures. Use your viewfinder to help site-in on an object.
3. Center the object in the viewfinder's crosshairs and then in the telescope eyepiece. When the object is centered in your eyepiece, remember to re-tighten the R.A. and Dec. locks.
4. To move telescope in the R.A. and Dec. axes again, remember to loosen the R.A. lock and tighten the Dec. lock. Then rotate the manual slow motion control knobs (**10, Fig. 1a**) and (**16, Fig. 1a**).
5. Practice digitally focusing on objects.

*See **FOCUSING THE TELESCOPE**, page 19.*

6. Once you get a feel for how your telescope moves and focuses, try to view some-

**Note:**

*Viewing conditions vary widely from night-to-night and site-to-site. Turbulence in the air, even on an apparently clear night, can distort images. Low-power eyepieces, such as the UltraWide 24mm supplied with your telescope, are better suited to resolving images in poor viewing conditions.*



**NEVER point the telescope directly at or near the Sun at any time! Observing the Sun, even for the smallest fraction of a second, will result in instant and irreversible eye damage, as well as physical damage to the telescope itself.**

**Warning:**

*Do not look through the telescope's eyepiece or viewfinder while it is rapidly moving. Children should always have adult supervision while observing.*

**Tip:**

*The slowest speed, 1x, may be changed using the Guiding Rate menu. This menu allows you to change the speed by entering a percentage of the speed (either more or less than 100%). This function may be useful in guiding the telescope during CCD and long-exposure photography. See **GUIDING RATE**, page 34, for more information.*

You can also observe stars and objects in the night sky using this method, but note that objects begin to slowly drift across the eyepiece field. This motion is caused by the rotation of the Earth. As you become familiar with the Autostar II handbox operation, you can counteract the drift using the automatic tracking feature in the Autostar II Setup menu (see **TO TRACK AN OBJECT AUTOMATICALLY**, page 22), or by using Autostar II's GO TO capabilities (see **GO TO SATURN**, page 24).

### Terrestrial Observing

The RCX400 models are excellent high-resolution terrestrial (land) telescopes. Viewing terrestrial objects requires looking along the Earth's surface through heat waves. These heat waves often cause degradation of image quality. Lower power eyepieces, like the UltraWide 24mm, magnify these heat waves less than higher power eyepieces. Therefore, lower power eyepieces provide a steadier, higher quality image. If the image is fuzzy or ill-defined, reduce to a lower power eyepiece, where the heat waves do not have such an effect on image quality. Observing in early morning hours, before the ground has built up internal heat, produces better viewing conditions than during late afternoon hours.

### Observing Using Autostar II's Arrow Keys

You may observe land and astronomical objects using Autostar II's Arrow keys to move the telescope.

1. Tighten the R.A. and Dec. locks (**13 and 17, Fig. 1a**).
2. Verify that Autostar II is properly connected to your telescope. See **TO CONNECT AUTOSTAR II**, page 17.
3. Flip the telescope power switch to the ON position.  
The Autostar II screen is activated and a copyright message displays briefly, followed by a short beep. Then Autostar II takes a few moments to start up the system.
4. A message displays that warns not to look at the Sun. At the end of this message, press the key prompted by Autostar II to signify that the message has been read and understood.
5. "Automatic Alignment" displays.
6. The Arrow keys are now activated. Press the Arrow keys (**5, Fig. 2**) to slew (move) the telescope up, down, right, or left.
7. Press the Speed key (Number key "1") and then a Number key (**6, Fig. 2**) to change the telescope's slew speed. ("1" is the slowest speed, "9" is highest speed.)
8. Use the viewfinder (**21, Fig. 1a**) to locate an object and practice using the Autostar II's Arrow keys to center the object in the telescope's field of view.
9. Bring the object into focus.

### Slew Speeds

Autostar II has nine slew speeds that move the optical tube at rates that are directly proportional to the sidereal rate and have been calculated to accomplish specific functions. Press the Speed key (Number key "1") and then press a Number key to change the slew speed, which is shown for about two seconds on Autostar II's display.

The nine available speeds are:

Number Key 1	=	1x =	Guide Rate, programmable (see <b>Tip</b> at left)
Number Key 2	=	2x =	2 x sidereal (0.5 arc-min/sec or 0.008°/sec)
Number Key 3	=	8x =	8 x sidereal (2 arc-min/sec or 0.033°/sec)
Number Key 4	=	16x =	16 x sidereal (4 arc-min/sec or 0.067°/sec)
Number Key 5	=	64x =	64 x sidereal (16 arc-min/sec or 0.27°/sec)
Number Key 6	=	128x =	30 arc-min/sec or 0.5°/sec
Number Key 7	=	1.5° =	90 arc-min/sec or 1.5°/sec
Number Key 8	=	3° =	180 arc-min/sec or 3°/sec
Number Key 9	=	Max =	480 arc-min/sec or 8°/sec

**Speeds 1, 2, or 3:** Best used for fine centering of an object in the field of view of a higher power eyepiece, such as a 12mm or a 9mm eyepiece.

**Definition:**

**Initialization** is a procedure that ensures that Autostar II operates correctly. When you first use Autostar II, it doesn't yet know where the observation location site is or the time or date of the observation session.

During the **automatic alignment** procedure, the system calculates these parameters automatically.

Autostar II uses this information to precisely calculate the location of celestial objects (such as stars and planets) and to move your telescope correctly for various operations.

**Tip:**

When multiple choices are available within an Autostar II menu option, the current option is usually displayed first and highlighted by a right pointing arrow (>).

**Note:**

Press any key on the Autostar II handbox to abort the GPS fix. If aborted, Autostar II then displays "Enter Date." You may follow prompts to perform a manual alt/az alignment (see page 42) or press MODE repeatedly until "Select Item" displays to use the Autostar II menu options.

**Speeds 4, 5, or 6:** Enable centering of an object in the field of a low-to-moderate power eyepiece, such as the standard UltraWide 24mm.

**Speeds 7 or 8:** Best used for rough centering of an object in the viewfinder.

**Speed 9:** Moves the telescope quickly from one point in the sky to another.

## Observe the Moon

Point your telescope at the Moon (note that the Moon is not visible every night) and practice using the Arrow keys, the digital front focus and the slew speeds to view different features. The Moon contains many interesting features, including craters, mountain ranges, and fault lines. The best time to view the Moon is during its crescent or half phase. Sunlight strikes the Moon at an angle during these periods and adds a depth to the view. No shadows are seen during a full Moon, making the overly bright surface to appear flat and rather uninteresting. Consider the use of a neutral density Moon filter when observing the Moon. See **SERIES 4000 PHOTO-VISUAL FILTERS**, page 48. Not only does it cut down the Moon's bright glare, but it also enhances contrast, providing a more dramatic image.

## Astronomical Observing

Used as an astronomical instrument, your telescope has many optical and electro-mechanical capabilities. It is in astronomical applications where the high level of optical performance is readily visible. The range of observable astronomical objects is limited only by the observer's motivation.

## To Track an Object Automatically

As the Earth rotates beneath the night sky, the stars appear to move from East to West. The speed at which the stars move is called the sidereal rate. You can setup your telescope to move at the sidereal rate so that it automatically tracks (follows) the stars and other objects in the night sky. If the telescope is not tracking an astronomical object, the object will drift out of the eyepiece field of view. The tracking function automatically keeps an object centered in the telescope's eyepiece.

To automatically track objects, you need to learn how the Autostar II keypad operates in order to move through its menus. You'll need to initialize and align your telescope.

## Moving Through Autostar II's Menu

The Autostar II database is organized in levels for quick and easy navigation.

- Press ENTER (**2, Fig. 2**) to go deeper into Autostar II's menu levels.
- Press MODE (**3, Fig. 2**) to move back toward the top menu level.
- Press the Scroll keys (**7, Fig. 2**) to move up and down through the options available for each level.
- Press the Arrow keys (**5, Fig. 2**) to enter characters and digits. The Arrow keys are also used to move the telescope.
- Use the Number keys to enter digits.

## Automatic Alignment Feature

Autostar II offers four methods of altazimuth (alt/az) alignment; this section describes how to initialize and align your telescope using **Automatic Alignment**. (For a description of the other alt/az alignment methods, see pages 42 and 43. For information about equatorial (polar) alignment, see **APPENDIX A**, page 57.)

### To prepare your telescope for Automatic Alignment:

1. Tighten the R.A. and Dec. locks (**13 and 17, Fig. 1a**).
2. Verify that Autostar II is properly connected to your telescope. See **TO CONNECT AUTOSTAR II**, page 17.
3. Flip the telescope power switch to the ON position.

The Autostar II screen is activated and a copyright message displays briefly, followed by a short beep. Then Autostar II takes a few moments to start up the system.

**Important Note:**

Once the telescope is aligned, only use the Arrow keys to move the telescope. Once the telescope has been aligned, do not loosen the telescope locks (13 and 17, Fig. 1a), or move the base manually, or alignment will be lost.

**Important Note:**

If the objects you have chosen are not in the eyepiece after alignment, it is also recommended that you **CALIBRATE SENSORS**.

This menu allows you to improve your telescope's pointing accuracy to alignment stars. It calibrates to correct slight mechanical misalignment due to transport, vibration, or aging. It is recommended that calibration be performed once on a new telescope after the user initially assembles it.

When this menu is selected, the telescope slews to Polaris. Autostar II then prompts you to center Polaris and to press ENTER. Autostar II uses the position of Polaris to fine tune the position of North and also detects level for the base of the telescope.

4. Autostar II initializes the Smart Drive if "On" has been previously chosen from both the R.A. and Dec. PEC menus in the "Setup: Telescope" menu (the very first time the system is turned on, the Smart Drive feature will not be enabled). Once "On" is chosen, Autostar remembers the setting until "Off" is chosen again. If "On" has been selected, the R.A. and Dec. motors operate briefly and "Initializing: Smart Drive" displays.
5. A message displays that warns not to look at the Sun. At the end of this message, press the key prompted by Autostar II to signify that the message has been read and understood.
6. "Automatic Alignment" displays. Press ENTER. The system now performs the following routines (press any Autostar II key to abort Automatic Alignment) :

**Caution:** As the telescope performs the following operations, it will swing and rotate. Keep a safe distance from the telescope.

- a. **Finds the home position.** Moves the telescope to find the "home" position. When the home position is found, the system knows the limiting positions of the telescope and can avoid tangling cables and over-rotating the telescope.
- b. **Detects "level" of the base of the telescope; finds tilt and tip.** To detect level, Autostar II must calculate "level" at three compass points. See **FINDING TRUE LEVEL** in the RCX400 INFO box on page 25.  
Autostar II also determines the positioning (*i.e.*, tilt and tip) of the optical tube.
- c. **Finds North.** Locates magnetic North, then calculates true North. See **FINDING TRUE NORTH**, page 25.
- d. **Attempts a "GPS Fix."** The RCX400's GPS receiver attempts to acquire and sync up with signals from GPS satellites. "Getting GPS Fix" displays. See **THE GLOBAL POSITIONING SYSTEM** in the RCX400 INFO box on page 25.

After performing these operations, Autostar II now knows:

- The telescope's limiting positions
  - Where level is for the telescope
  - The location of true North
  - The observing site's location
  - The date and time
- e. **Star Alignment.** Autostar II then chooses two stars to align upon. "Searching...." displays. When the telescope slews (moves) to the first star for alignment, it may not appear in the field of view in the eyepiece. If it is not, look through the viewfinder—in most cases, the star will be visible. Use the Arrow keys to move the telescope (you can change speed at which the telescope moves: see **SLEW SPEEDS**, page 21 for more information) until the star is visible and centered in the eyepiece. The alignment star should be easily recognized and be the brightest star in the area of the sky where the telescope is pointing. Press ENTER. Repeat this procedure for the second star. For more information about alignment stars, see **WHICH ONE'S THE ALIGNMENT STAR?** below.

**RCX400 TIPS**

**Which One's the Alignment Star?**

If Autostar has chosen an alignment star with which you are unfamiliar, how can you be sure if the star in your eyepiece is really the alignment star?

The rule of thumb is that an alignment star is usually the brightest star in that area of the sky. If you perform a GO TO to an alignment star and you're not sure if you have located the alignment star or it isn't in the eyepiece, look through your viewfinder. When you view an alignment star in the viewfinder, it stands out dramatically from the rest of the stars in that portion of the sky. The viewfinder will help you locate a star more quickly than the eyepiece, because it has a much wider field of view than the eyepiece. Using Autostar, set the slew speed to 6 or higher and use the Arrow keys to center the alignment star in the viewfinder. If your viewfinder has been aligned with the telescope, the alignment star should now be in the eyepiece. Set the slew speed to 4 or less and center the star in the eyepiece.

**Tip:**

The GO TO key also allows you to perform a "spiral search." A spiral search is useful when the telescope slews to an object, but that object is not visible in the eyepiece after the telescope finishes its search. (This sometimes occurs during an alignment procedure.)

Press GO TO when the telescope stops slewing. The telescope begins to move in a spiral pattern at a very slow speed around the search area. Look through the eyepiece and when the object does become visible, press MODE to stop the spiral search. Then use the Arrow keys to center the object.

**Important Note:**

While performing the automatic tracking procedure, only use the Arrow keys to move the telescope. Once the telescope has been aligned, do not loosen the telescope locks (13 and 17, Fig. 1a), or move the base manually, or alignment will be lost.

**Tip:**

**To manually enter the R.A. and Dec. coordinates of an object:** Press and hold MODE for two seconds or more. The R.A. and Dec. coordinates display. Press GO TO. "Object Position" and a set of coordinates displays. Then enter the R.A. and Dec. coordinates of any celestial object using Number keys. As soon as the coordinates are entered, Autostar II slews the telescope to the coordinates. Note that the telescope must be initialized for this procedure to operate properly.

When the procedure is performed correctly, "Alignment Successful" displays. If Autostar II does not display this message, perform this procedure again.

**Note:** Alignment stars may change from night to night. All that is required is for the observer to center the selected stars in the eyepiece when prompted.

## Observe a Star using the Automatic Tracking Feature

Now that your telescope has been aligned, you are able to track celestial objects. In this example, the Autostar II Arrow keys are used to find a star, and then Autostar II's tracking capability automatically keeps the star centered in your telescope's eyepiece.

1. When Automatic Alignment is completed (as described in the previous section), "Select Item: Object" displays on Autostar II.
2. Select a bright star from one of the Object menus. You may choose any unobstructed, bright star for the purposes of this example. Use the viewfinder (21, Fig. 1a) to help line up on the star. Use Autostar II's Arrow keys to center the star in the eyepiece. The tracking motors will then keep the star you have chosen in the center of the eyepiece.

## Go To Saturn

This exercise demonstrates how to select a celestial object, the planet Saturn, for viewing from Autostar II's Solar System library. Objects in the eyepiece should maintain their position even though the Earth is rotating beneath the stars. In other words, the telescope tracks the chosen objects.

**Note:** Saturn is not visible the entire year; you may need to choose another object from any of Autostar II's many object libraries; however, the procedure, as described below, remains the same.

1. After the telescope is aligned, press Number key "5."
2. "Solar System: Mercury" displays. Keep pressing the Scroll Down key until "Solar System: Saturn" displays.
3. Press ENTER. "Calculating" displays. Then "Saturn" and a set of coordinates displays. Note that Saturn's (and other planets') coordinates change throughout the year.
4. Press GO TO. "Saturn: Slewing..." displays and the telescope slews until it finds Saturn. You may need to use the Arrow keys to center Saturn precisely in the eyepiece. Autostar II then automatically moves the telescope so that it "tracks" Saturn (or whatever other object you may have chosen); *i.e.*, Saturn remains centered in the eyepiece.

## Using the Guided Tour

The Guided Tour feature is an easy and fun method of exploring Autostar II's GO TO capabilities. This example demonstrates using "Tonight's Best" Guided Tour.

1. After observing Saturn, keep pressing MODE until "Select Item: Object" displays again.
2. Press the Scroll Down key twice. "Select Item: Guided Tour" displays.
3. Press ENTER. "Guided Tour: Tonight's Best" displays. Press ENTER.  
**Note:** If you wish to try out other Guided Tours, press the Scroll Down key to scroll through other tour choices. When the tour you wish to select displays, press ENTER.
4. "Tonight's Best: Searching..." displays. After calculating, "Tonight's Best: Jupiter" displays.

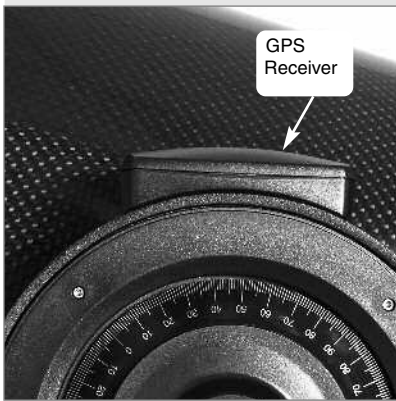
**Note:** Different objects may be displayed on a tour list on any given night.

Press ENTER to display information about the object. Press GO TO to move the telescope to the object.



5. Press MODE to return to the Tour list. Press the Scroll keys to scroll through the list. Press ENTER when you find the next object you wish to observe.
6. Press and hold down MODE for two seconds to leave the Guided Tour menu.

Other Guided Tours are available, such as "How Far is Far" and "A Star's Life." If you have programming skills, you may wish to create a custom Guided Tour. See **CREATE YOUR OWN GUIDED TOUR**, page 63.



**Fig. 26:** RCX400 GPS Receiver.

## RCX400 INFO

### Global Positioning System

The Global Positioning System (GPS) is comprised of 24 satellites orbiting the Earth that are constantly transmitting their precise position and time. The system provides highly accurate, worldwide positioning and navigation information for any number of applications.

GPS receivers on the Earth acquire signals from three to twelve satellites to determine the precise latitude, longitude, and time of the receiver. (Accuracy of the receiver's position may be within 10 to 15 feet.) As Autostar II uses latitude, longitude, and time information to calculate the positions of celestial objects, GPS is an ideal tool for aligning your RCX400 telescope.

### Detecting True Level

To detect level of the base of the telescope, Autostar II must calculate the tip and tilt of the telescope at three compass points and then compensate for it. Finding level involves the geometric calculations of a "plane." In order to define a plane, three positions are necessary. This is not unlike building a table: For a table to stand level and solid, it must have a minimum of three legs. Autostar II makes gravitational measurements to make a precise determination of true level.

### Finding True North

Locating True North is one of the most important ingredients in the alignment of a telescope. True North is the axis—the pole—which the Earth spins about and is a key reference for the motion of the Earth.

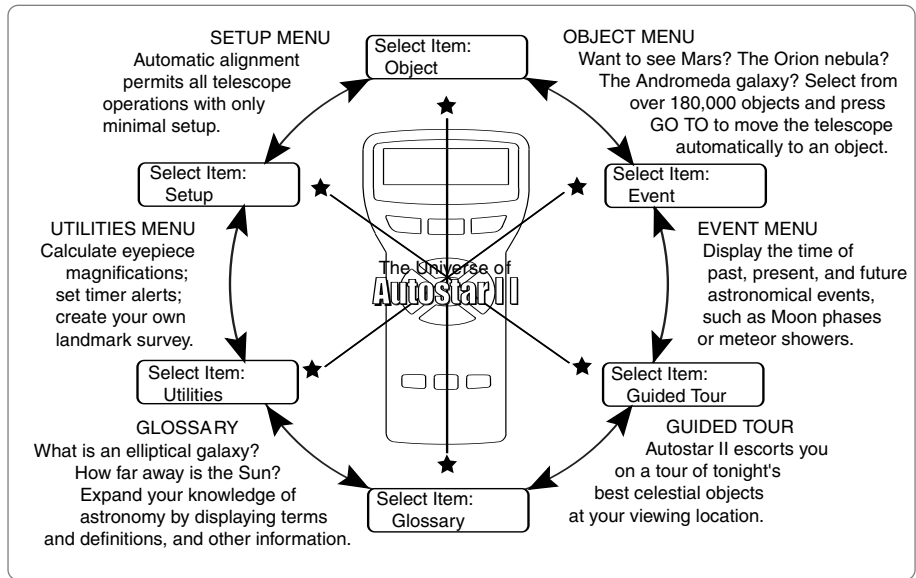
As you look at the night sky, the stars seem to move; in fact, if you watched long enough or took a long time-exposure photograph, you'd realize that the stars seem to revolve around one point—the pole or True North. When Autostar II knows where True North is and also knows the time, it can calculate the location of all the other objects in the sky.

One traditional way to find True North is to locate the North Star, Polaris, which lies very close to True North. Another way to calculate True North is to use gyroscopes or accelerometers.

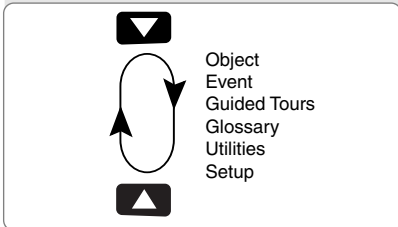
The RCX400 determines True North by using a magnetic North sensor. The sensor locates magnetic North. Magnetic North is not True North, but a measurement of the magnetic lines of the Earth. Magnetic North may deviate several degrees from True North. But Autostar II, using the observation site location determined by the GPS and magnetic North information, can calculate the position of True North.

Some areas are subject to magnetic disturbances, and the magnetic field of the Earth changes slightly from year to year. Autostar II allows you to adjust for discrepancies in the local magnetic field using the "Calibrate Sensors" option in the Telescope menu. See page 34 for more information.

# BASIC AUTOSTAR II



**Fig. 27:** The Autostar II Universe: The six primary categories listed in the Select Item menu of Autostar II.



**Fig. 28:** Menu set in a loop.



**Fig. 29:** Menu options display on the second line. Use the Scroll keys to move up or down through the list of options. Press ENTER to select the desired option.

It is important to understand that menu selections are set in a loop (**Fig. 28**). This means that pressing the Scroll Down key (**7, Fig. 2**) cycles down through all the available options within a given category, then returns to the first option. The Scroll Up key (**7, Fig. 2**) cycles up through the options in the opposite order. Note that this capability is a quick way to get to an option that is near the bottom of the list. The following example demonstrates this capability.

**Example:**

To navigate to the “Select Item: Setup” menu option when the “Select Item: Object” menu is displayed:

1. Press the Scroll Down key five times or the Scroll Up key once.

The screen in **Fig. 29** displays two lines of information. The top line shows the current menu. The second line displays an option which may be selected within that menu. Some options are choices that select the next menu level down. The Scroll keys move up and down within the list of available options, showing one option at a time.

When the desired option is displayed on the second line, press the ENTER key to choose that option and move down one menu level.

Press the MODE key to leave a menu level; e.g., the wrong menu option is chosen.

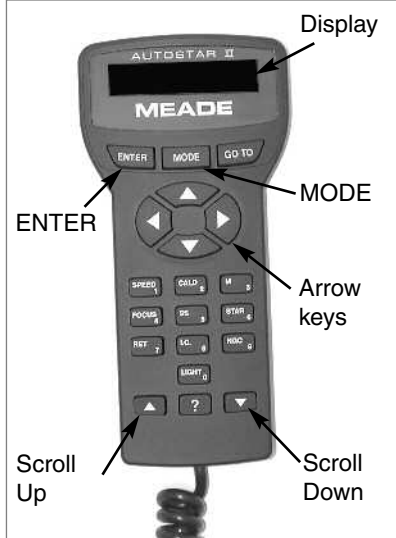
**Important Note:** No matter how many levels into Autostar II are traveled, each press of the MODE key moves up a level, until the top level, “Select Item,” is reached. Once in the Select Item level, press MODE to return to the topmost level, “Select Item: Object.”

## Autostar II Navigation Exercise

To demonstrate how the Autostar II menu structure works, the following exercise calculates Sunset time so an evening observing session can be planned.

**To Calculate Sunset time:**

1. Press the MODE key several times, until “Select Item: Object” is displayed.
2. Press the Scroll Down key once to display the “Event” option in the “Select Item” menu.
3. Press the ENTER key to choose the “Event” option and move down a level. “Event: Sunrise” is displayed.



**Fig. 30:** Some of the features of the Autostar II handbook.

**Tip:**

*When multiple choices are available within a menu option, the current option is usually displayed first and highlighted by a right pointing arrow (>).*

4. Press the Scroll Down key once to display the "Sunset" option in the Event menu.
5. Press the ENTER key to choose the "Sunset" option and move down another level.
6. Autostar II calculates the Sunset time based on the current date, time, and location. Autostar II then displays the results of the calculation.
7. Press MODE once to start moving back up through the Autostar II levels. The first level up is the Event menu.
8. Press MODE again to move up another level. This is the top level, "Select Item."
9. Press MODE again to return to the starting point of "Select Item: Object."

### Example of Locating a menu

As you typically will be using menus after you initialize and align your telescope, this example will assume you have just completed aligning your scope. AutoStar II displays "Select Item: Object" after the alignment procedure; this will be our starting point. In this example, we will locate the "Owner Info" option. See Fig. 30 for the location of the Autostar II keys used in this example.

1. "Select Item: Object" displays.
2. As the Owner Info option is in the Setup menu, you will have to use one of the Scroll keys to navigate through the list of menus. Press the Scroll Down Key. "Select Item: Event" displays
3. Keep pressing the Scroll Down key. Notice that all the menus display as you press the key: Guided Tour, Glossary, Utilities, Setup. Stop when "Select Item: Setup" displays. If you press the Scroll Down key one more time, "Select Item: Object" will display again. This is because the list of menus or options cycles through each choice over and over again when you press one of the Scroll keys.
4. With "Select Item: Setup" displayed, press ENTER. Pressing ENTER selects the menu or option currently displayed.
5. "Setup: Align" displays.
6. Press the Scroll Down key again. "Select Item: Date" displays. Autostar II will now display all the choices that are available with the Setup menu.
7. Continue to press the Scroll Down key until "Setup: Owner Info" displays.
8. Press ENTER. "Owner Info: Name" displays. Press ENTER again. "Name" displays, with the second line blank. On this line you may enter your first and last name into Autostar II's memory.
9. Press the Up or Down Arrow key. Notice that a letter of the alphabet displays. Continue to press one of the Arrow keys until the first letter of your name displays.
10. Use the Right Arrow key to move to the next position so you can choose the second letter of your name. Continue to use the Arrow keys to enter your full name.
11. Press ENTER when you are finished. Your name is now entered into AutoStar II's memory.
12. "Owner Info: Name" displays again (if you wish, you can press the Scroll Down key—"Owner Info: Address" will display and you can enter your address if you wish).
13. Press MODE and "Setup: Owner Info" displays. Press MODE again. "Select Item: Setup" displays. MODE allows you to backup and exit through the menu structure.

### Navigating Autostar II

Autostar II's menus are organized for quick and easy navigation:

- Press ENTER to go deeper into Autostar II's menu levels.
- Press MODE to move back toward the top menu level.
- Press Number key "1" to engage the Speed mode, and then press Number keys 1 through 9 to change speeds.
- Press Number key "4" to access the Focus menu.
- Press Number key "7" to access the Reticule menu.
- Press the Scroll keys to move up and down through the options or lists.
- Press the Arrow keys to move the cursor across the display.
- Press the Help (?) key to access on-line help.

# AUTOSTAR II's MENUS

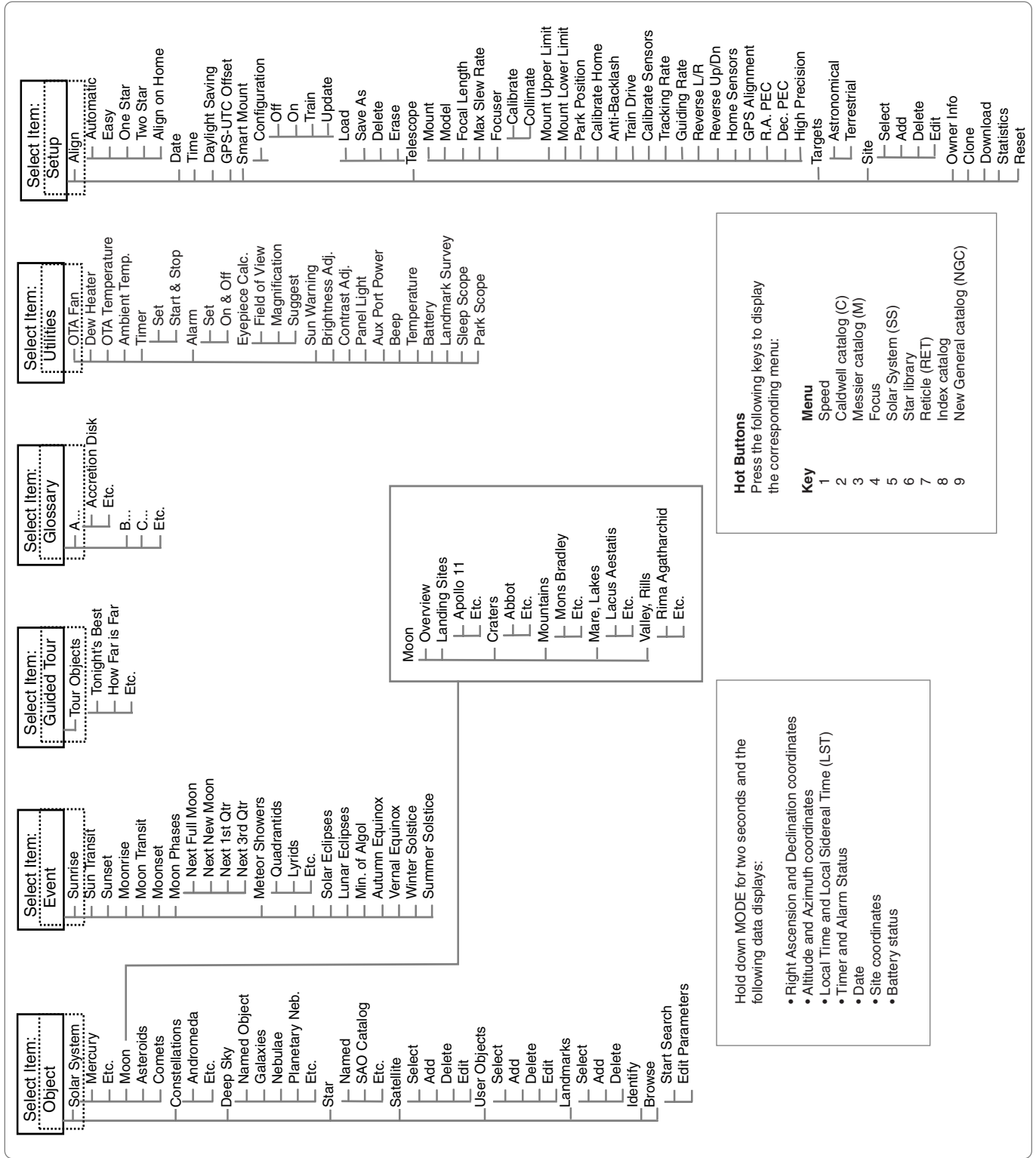


Figure 31: The Complete Autostar II Menu Tree Structure.

Want to learn more about **Observing Satellites**? See page 39.

Want to learn more about **Landmarks**? See page 39.

## Object Menu

Almost all observing with Autostar II is performed using the Object menu category. (**Note:** Exceptions include *Guided Tour* and *Landmark Survey*.) See **GO TO SATURN**, page 24, for an example of observing using the Object menu. Also see **USING THE GUIDED TOUR**, page 24.

Autostar II contains many libraries of viewable objects, such as stars, planets, comets, nebulae and so forth. When one of these objects is selected from a library, Autostar II moves your telescope (if properly aligned) and points it at the selected object. Six of the most popular libraries can be accessed directly using the hot buttons.

The Object Menu options include:

**Solar System:** A library of the eight planets (Earth is not included) in order out from the Sun, followed by the Moon, asteroids, and comets.

**Constellation:** A library of all 88 Northern and Southern Hemisphere constellations. When this menu option is chosen and a constellation name appears on the first line of the screen, press GO TO once to change the second line to the name of the brightest star in the constellation. Press GO TO a second time to slew the telescope to that star. Use the Scroll keys to cycle through the list of stars in the constellation, from brightest to dimmest.

**Deep Sky:** A library of objects outside our Solar System such as nebulae, star clusters, galaxies, and quasars.

**Star:** A catalog of stars listed in different categories such as named, double, variable, or nearby. Also included are the Hipparcos, SAO, HD, and HR catalogs. The Star catalog may also be accessed directly by pressing the Number key "6."

**Satellite:** A library of Earth-orbiting objects such as the International Space Station, the Hubble Space Telescope, Global Positioning System (GPS) satellites, and geosynchronous orbit satellites.

Other **Catalogs** are accessed directly using the Autostar II "hot keys": Caldwell (key "2"), Messier catalog ("3"), Solar System ("5"), IC ("8"), and NGC ("9").

### To slew the telescope to catalog objects:

Enter the catalog number of the object using the Number keys and then press ENTER. *For example:* To slew to NGC 6720, press Number Key "9," then using the Number keys, enter the digits "6-7-2-0." Then press ENTER.

Autostar II displays the common name and alternate names of the object, if available. Press one of the Scroll keys to display some or all of the following information about that object: Type of object (galaxy, nebula, etc.), Dec. and R.A. coordinates, constellation it is located within, magnitude, size, distance, and star-type classification, if the object is a star. If further information is available, it displays as scrolling text.

Press GO TO. The telescope, if aligned (see **AUTOMATIC ALIGNMENT**, page 22), will slew to that chosen object. Press MODE repeatedly to return to previous menu levels.

**User Objects:** Allows the user to define and store in memory deep-sky objects of specific interest that are not currently in the Autostar II libraries. See **CREATING USER OBJECTS**, page 38, for more information.

**Landmarks:** Stores the location of terrestrial points of interest in the permanent Autostar II database. This function works with a telescope that remains in one fixed spot or can be setup in the exact same spot each time it is used.

- **Select:** To select a Landmark already in the database (see **ADD** below), choose the "Select" option and scroll through the list. Press ENTER to select a Landmark, then press GO TO and the telescope slews to the object.
- **Add:** To add a Landmark, choose the "Add" option. Enter a name for the Landmark. Locate and center the Landmark in the eyepiece, then press ENTER.

**Important Note:** *To add objects to the Landmark database, the telescope must be located and aligned exactly as when the original objects were added to the database.*

Want to learn more about using the **Browse menu**? See page 41.

**Definition:**

**Transit** is the time when the Sun, Moon, or other celestial object crosses an observer's meridian, i.e., the time when an object is at its highest point in the sky on any given date.



**WARNING!**  
Never use  
your Meade®  
RCX400

**Telescope to look at the Sun! Looking at or near the Sun will cause instant and irreversible damage to your eye. Eye damage is often painless, so there is no warning to the observer that damage has occurred until it is too late. Do not point the telescope or its viewfinder at or near the Sun. Do not look through the telescope or its viewfinder as it is moving. Children should always have adult supervision while observing.**

**Identify:** An exciting feature for an observer who wants to scan the night sky and start exploring. After the telescope has been properly aligned, use the Autostar II Arrow keys to move about in the sky. Then follow this procedure:

**Important Note:** Only use the Arrow keys to move the telescope during the Identify procedure. Do not loosen the telescope locks or move the base or alignment is lost.

1. When a desired object is visible in the eyepiece, keep pressing MODE until the "Select Item: Object" menu is displayed. Press ENTER to select this menu.
2. Scroll through the Object menu options until the "Object: Identify" screen appears.
3. Press ENTER. Autostar II searches the libraries for the identity of the object being observed.
4. If the telescope is not directly on an Autostar II library object, the nearest library object is located and displayed on the screen. Press GO TO and the telescope slews to that object.

**Browse:** Allows you to search the library for objects with certain parameters, much like a search engine. "Edit Parameters" lets you set various parameters for the search, such as: Object Type, Minimum Elevation, Largest, etc. Once you have set the parameters of the search, select "Start Search" and press ENTER. Autostar II will display the results of the search.

## Event Menu

The Event menu provides access to dates and times of astronomical events. The Event database includes:

**Sunrise, Sun Transit, and Sunset:** Calculate the time of Sun rise, Sun transit, or Sun set on the current date. Find rise and set times for other dates by entering a new date into the "Setup: Date" menu.

**Moonrise, Moon Transit, and Moonset:** Calculate the time of Moon rise, Moon transit, or Moon set on the current date. Find rise and set times for other dates by entering a new date into the "Setup: Date" menu.

**Moon Phases:** Displays the date and time of the next Full, New, 1st Quarter, and 3rd Quarter Moon.

**Meteor Showers:** Provides information on upcoming meteor showers, such as the Perseids, the Leonids, etc. Also lists the dates of the showers and when they reach maximum.

**Note:** Meteors are fast moving objects that cover large areas of the sky and are usually best observed with the naked eye.

**Solar Eclipse:** Lists upcoming Solar Eclipses, including the date and type (total, annular, or partial) of eclipse. Use the Scroll Up and Down keys to display the available data. Remember, never use a telescope to look at the Sun! See **WARNING!** to the left.

**Lunar Eclipse:** Lists upcoming Lunar Eclipses, including the date and type (total, partial, penumbral) of eclipse. Use the Scroll Up and Down keys to display the available data.

**Min. (Minimum) of Algol:** Displays the minimum brightness of the dramatic eclipsing binary star system, Algol. It is relatively close at a distance of 100 light years. Every 2.8 days during a 10-hour period, Algol undergoes a major change in apparent magnitude as one of the two stars passes behind the other. The combined magnitude of the two stars thus dips from +2.1 to a minimum of +3.4 halfway through the eclipse as the second star is hidden. Autostar II calculates minimum magnitude time at mid-eclipse.

**Autumn and Vernal Equinox:** Calculate the time and date of the fall or spring equinox of the current year.

**Winter and Summer Solstice:** Calculate the time and date of the winter or summer solstice of the current year.

**Tip:**

*The Contrast Adjustment feature is usually only required in very cold weather.*

*If you adjust the contrast so that you can no longer read the display, turn off the power and turn it on again. When Version appears on the display (the initial display screens are not affected by the Contrast control), press MODE.*

## Glossary Menu

The Glossary menu provides an alphabetical listing of definitions and descriptions for common astronomical terms and Autostar II functions. Access directly through the Glossary menu or through hypertext words embedded in Autostar II. A *hypertext word* is any word in [brackets], usually found when using the Autostar II Help function or when reading a scrolling message such as a description of a planet or star. Press ENTER whenever a hypertext word is on screen and Autostar II goes to the glossary entry for that word.

To access directly from within the Glossary menu, use the Scroll keys to scroll through the alphabet. Press ENTER on the desired letter. Scroll to the desired entry and then press ENTER to read the description.

## Utilities Menu

The Utilities menu provides access to several extra features within Autostar II, including a countdown timer and an alarm. The Utilities functions include:

**OTA Fan:** Allows you to turn the fan off or on. The fan assists with the stabilization of the optics. The fan should be activated at the beginning of an observing session and run until the optics have achieved an equilibrium with the environment. Fan operation time should range from about 5 to 25 minutes. Note that the fan may introduce a slight vibration and this may cause noticeable movement observed with sensitive optics.

**Dew Heater:** Allow you to adjust heater level, setting from 0 to 100.

**OTA Temperature:** Provides a temperature reading at the edge of the corrector plate.

**Ambient Temperature:** Provides a temperature reading at the fork arm.

**Timer:** Selects a countdown timer. This feature is useful for functions such as astrophotography and tracking satellites. To use the Timer, press ENTER, then choose "Set" or "Start/Stop."

- **Set:** Enter the time to be counted down, in hours, minutes, and seconds, then press ENTER.
- **Start/Stop:** Activates the timer set previously. Use the Scroll keys to toggle between ON and OFF. When ON is displayed, press ENTER to activate the timer. When the timer runs out, four beeps sound and the timer is deactivated.

**Alarm:** Selects a time for an alarm signal to sound as a reminder. To use the Alarm, press ENTER, then choose "Set" or "Start/Stop."

- **Set:** Enter the time of day for the alarm to sound, in hours, minutes, and seconds, then press ENTER.
- **Start/Stop:** Activates the alarm set previously. Use the Scroll keys to toggle between ON and OFF. When ON is displayed, press ENTER to activate the alarm. When the alarm time arrives, Autostar II beeps. Press ENTER to deactivate the alarm.

**Eyepiece Calc:** Calculates information about an eyepiece for the specific telescope to which Autostar II is connected.

- **Field of View:** Scroll through a list of available eyepieces. When an eyepiece is selected, the field of view is calculated.
- **Magnification:** Scroll through a list of available eyepieces. When an eyepiece is selected, the magnification is calculated.
- **Suggest:** Autostar II calculates and suggests the best eyepiece for viewing, based on the telescope and the object being viewed.

**Sun Warning:** Enables or disables Autostar II's Sun warning display.

**Brightness Adj:** Adjusts the brightness of the display using the Scroll keys. When complete, press ENTER.

**Contrast Adj:** Adjusts the contrast of the display using the Scroll keys. When complete, press ENTER.

Want to learn more about Landmarks? See page 39.

**Panel Light:** Allows you to turn off LED panel light.

**Aux Port Power:** Allows you turn off and on the 12vDC OUT power port.

**Beep:** Turns the beep alerts on or off.

**Temperature:** Gives a temperature reading of the ambient air. This reading is not always available.

**Landmark Survey:** Automatically slews the telescope to all user-defined landmarks with a short pause at each location. Press ENTER to start the survey. While a slew is in progress, press any key to skip that object and go to the next landmark on the list. To observe a landmark for a longer period, press MODE when paused on the object to stop the survey. Press ENTER to restart the survey at the first object on the list.

**Sleep Scope:** A power saving option that shuts down Autostar II and the telescope without forgetting its alignment. With "Sleep Scope" selected, press ENTER to activate the Sleep function. Autostar II goes dark, but the internal clock keeps running. Press any key, except ENTER, to re-activate Autostar II and the telescope.

**Park Scope:** Designed for a telescope that is not moved between observing sessions. Align the telescope one time, then use this function to park the telescope. The next time it is powered up, pressing ENTER causes the telescope to move to its predetermined Park position. Once parked, the screen prompts to turn off power.

***Important Note:** When the "Park Scope" option is chosen and the display prompts you to turn off the telescope's power, Autostar II is unable to be returned to operation without turning the power off and then back on.*

## Setup Menu

There are numerous other features available within the Setup menu, including:

**Align on Home:** For permanently mounted telescopes only. If Calibrate Home has been performed, power up your telescope and select this menu to return the previously calibrated home position. In other words, the telescope is fully aligned according to the setting that were stored in Autostar II's memory during the Calibrate Home procedure. See **CALIBRATE HOME**, page 33, for more information.

**Date:** Changes the date used by Autostar II. This function is useful to check events in the past or future. *For example:* Set the Date menu for a day three months in the future. Then check the "Select Item: Event" menu for the Sunset time on that date. See **EVENT MENU**, page 30.

**Time:** Changes the time entered into Autostar II. Setting the correct time is critical for Autostar II to properly calculate locations and events. Time may be set to "AM," "PM," or 24-hour mode (military time). To select the 24-hour mode, press ENTER when the "blank" option displays (*i.e.*, neither "AM" nor "PM" is displayed).

**Daylight Saving:** Enables or disables the Daylight Savings time setting.

***Note:** Daylight Savings Time may be referred to by different names in various areas of the world. Check local time to verify.*

## RCX400 TIPS

### Look into the Future

The Autostar II Date option in the Setup menu is much more than just an entry of today's date; with it you can look far into the future or learn about past events. Autostar II can calculate the date and times of future events and, except for eclipses, past events as well (based on the current calendar system). *E.g.*, a Sunrise on March 6, 2043 A.D. or the Vernal Equinox in 1776 A.D. To use this feature, enter the desired date in the Setup menu or select an option in the Event menu.

Autostar II, using the Event menu, can calculate dates and times for Sunrises, Sunsets, Moonrises, Moonsets, Moonphases, Solar and Lunar Eclipses (for the next 100 years), meteor showers, equinoxes and solstices, and the minimums of Algol.

One very practical use of the Event menu is to check the Sunset option to determine when you can begin your astronomical observing session.

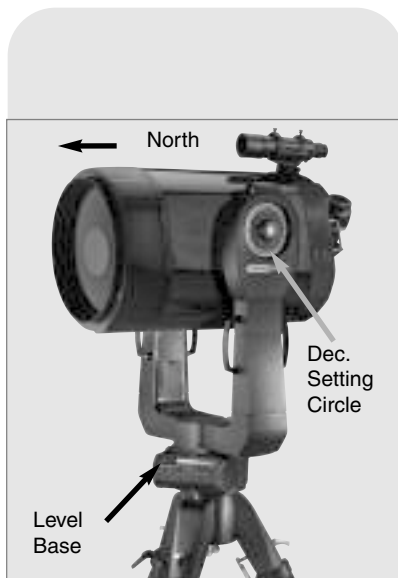


**Smart Mount:** See page 69 for detailed information.

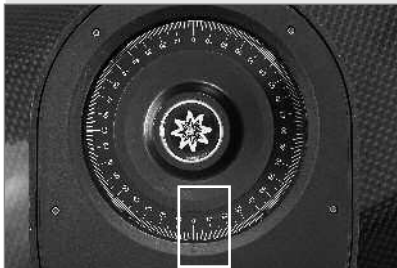
**GPS-UTC Offset:** Universal Time (UTC) adds leap seconds to its time calculations, GPS does not. The offset is the number of leap seconds added since the establishment of GPS.

**Telescope:** Accesses several options, including:

- **Mount:** Set this option to "Alt/Az" if using alt/az alignment and to "Polar" if using polar alignment. "Alt/Az" is the default value.
- **Model:** Allows you to select the telescope model connected to Autostar II.
- **Focal Length:** Displays the focal length of the selected telescope.
- **Max Slew Rate:** Sets the upper limit for the slew rate. 8 degrees per second is the fastest setting.
- **Focuser:** Allows you to recalibrate your focuser. Normally, not used. Recalibrates focuser and focuser backlash.
- **Collimate:** Allows you use the Arrow keys to collimate the telescope. See pages 51 and 52 for more details.
- **Mount Upper Limit:** Allows you enter a number from 0 to 90 that sets an upper limit as to how far the optical tube can swing upward during a programmed slew. (Note that it does not prevent you from performing a manual slew past this limit.) This is useful when you have a camera or other peripheral attached to the telescope—you can prevent it from striking the telescope base. 90 (straight up) is the maximum value that can be entered.
- **Mount Lower Limit:** Allows you enter a number from 0 to 90 that sets a lower limit as to how far the optical tube can swing downward during a programmed slew. (Note that it does not prevent you from performing a manual slew past this limit.) This is useful when you have a large optical tube (12" model) or have a dewshield attached to the telescope—you can prevent it from striking the telescope base. -90 (straight down) is the maximum value that can be entered.
- **Park Position:** For permanently mounted telescopes only. After aligning your telescope, select this menu and power down the telescope. The alignment settings—level, North, time, alignment stars—are stored in Autostar II's memory and are remembered after you power off the telescope. When you power on the telescope, "Automatic Alignment" displays after the start up routine. Press MODE (do not press ENTER). The telescope remembers its alignment and you can continue viewing or performing other operations without aligning the telescope again.  
  
Park Position provides two options. Use Current Position uses the last position set by the user. Use Default Position levels telescope and points it North.
- **Calibrate Home:** For permanently mounted telescopes only. After aligning your telescope, select this menu and the alignment settings—level, North, time, alignment stars—are stored in Autostar II's memory and are remembered after you power off the telescope. You can enable Autostar II to retrieve and automatically align your telescope using these settings the next time you power up by choosing the Align on Home menu. See **ALIGN ON HOME**, page 32, for more information. **Note:** *This method is not as precise as **PARK POSITION** (see above).*
- **Anti-Backlash:** This option allows you to change the backlash along either the R.A. and the Dec. axes by entering a number from 0% to 199%. This sets the backlash in the way the Arrow keys move the telescope along an axis. If you enter a value near 199%, telescope responds more quickly as you hold down an Arrow key. If you enter a value near 0%, it takes longer for the tube to respond as you hold down an Arrow key. Experiment with this option: Try changing the values until the motion of the telescope (while holding down an Arrow key) feels comfortable to you.
- **Train Drive:** All telescopes have a certain amount of "backlash" (looseness in the interplay of gears). This menu allows you to compensate for the backlash in the the Altitude and Azimuth motors—which helps locate objects with more precision.



**Fig. 32:** Alt/Az Home Position. Note that the Control Panel should face South, which is not depicted in the above photograph.



**Fig. 33:** Dec. Setting Circle at 0°.

Do you want to learn how to perform the **periodic error correction procedure**? See **PERIODIC ERROR CORRECTION**, page 44.

**Tip:** If the "ENTER to Sync" feature is accessed by mistake (holding the ENTER key for more than 2 seconds), press MODE to return to the previous screen.

Want to learn more about **adding and editing sites**? See page 37.

- **Calibrate Sensors:** This menu allows you to improve your telescope's pointing accuracy to alignment stars. It calibrates to correct slight mechanical misalignment due to transport, vibration, or aging. It is recommended that calibration be performed once on a new telescope after the user initially assembles it.

When this menu is selected, the telescope slews to Polaris. Autostar II then prompts you to center Polaris and to press ENTER. Autostar II uses the position of Polaris to fine tune the position of North and also detects level for the base of the telescope.

- **Tracking Rate:** Changes the speed at which the telescope tracks targets in the sky.
  - a. **Sidereal:** The default setting for Autostar II; sidereal rate is the standard rate at which stars move from East to West across the sky due to the rotation of the Earth.
  - b. **Lunar:** Choose this option to properly track the Moon over long observing sessions.
  - c. **Custom:** Allows entry of user-defined tracking rates.

***Note: Custom Tracking Rate** allows you to enter values from -999 (stands for 99.9%) to 999 (stand for +99.9%). The lower the number, the slower the rate; the higher the number the faster the rate. If you enter -999, the telescope will move so slow as to appear to be stopped. If you enter 999, the telescope will be moving at approximately twice the tracking rate.*

- **Guiding Rate:** Allows you to change the base slew speed, 1x. Enter a percentage of the speed (less than 100%) and press ENTER. This function may be useful in guiding the telescope during CCD and long-exposure photography. See **SLEW SPEEDS**, page 21, for more information.
- **Reverse L/R:** Reverses the functions of the Left and Right Arrow keys for controlling the telescope's motion (*i.e.*, the Right key moves the telescope to the left).
- **Reverse U/D:** Reverses the functions of the Up and Down Arrow keys for controlling the telescope's motion (*i.e.*, the Up key moves the telescope down).
- **Home Sensors:** Turns off or on the True North and True Level sensors, if preferred, for Easy, One-Star, and Two-Star alignment. User must then manually level the telescope, set Dec. circle to 0°, point the optical tube to True North and point the control panel on the base to South during alignment. The default setting for this menu is "On." See **Figs. 32 and 33**.
- **GPS Alignment:** Allows three options. Select "Off" if you wish to align the telescope manually (turns off GPS). Select "On" (default setting) if you wish to automatically align your telescope and want the telescope to get the GPS fix when it is needed during alignment. Select "At Start Up" if you want the telescope to get a GPS fix when the telescope is powered up.
- **Dec. PEC:** Allows you to perform periodic error correction on the Dec. drive worm gear. Must be performed with a high-power reticle (*eg.*, 9mm). You may restore the factory default setting by selecting "On."
- **R.A. PEC:** Allows you to perform periodic error correction on the R.A. drive worm gear. Must be performed with a high-power reticle (*eg.*, 9mm). You may restore the factory default setting by selecting "On."
- **High Precision:** If High Precision is turned on, when looking for a faint celestial object (*e.g.*, a nebula or galaxy), Autostar II first slews to a nearby bright star and displays "ENTER to Sync." Center the star in the eyepiece, then press ENTER. At that point the telescope has a high precision alignment to that part of the sky and it then slews to the object that was originally requested.

**Targets:** Switches between Astronomical targets and Terrestrial targets. If "Astronomical" is selected, the telescope tracking motor is activated and any object you observe will remain centered in the eyepiece. If "Terrestrial" is selected, the tracking motor is turned off. See **TO TRACK AN OBJECT AUTOMATICALLY**, page 22.

**Site:** Site provides access to several options including:

Time Zone	Shift
Atlantic	-4 Hours
Eastern	-5 Hours
Central	-6 Hours
Mountain	-7 Hours
Pacific	-8 Hours
Alaska	-9 Hours
Hawaii	-10 Hours

**Table 1:** Time Zone Shift.  
Calculations are for standard time.

**Note:**

The Download function requires the USB cable supplied with the RCX telescope. See page 43 for more information on how to download.

**Important Note:**

If your download fails in the middle of the download attempt (e.g., your PC crashes), turn off the telescope. Turn the telescope back on and as soon the Autostar II display lights up, press "999." Then attempt the download again.

- **Select:** Displays the currently selected observing site. Use the Scroll keys to cycle through all available sites (see **ADD** below). Press ENTER when the site you wish to select displays. Use this option when you move to a different geographic location.

- **Add:** Allows you to add new observing sites to the database. Scroll through the list of Countries/States. Press ENTER when the site you wish to add displays. Then choose the desired city in the same manner.

However, when the GPS signal is received, the site is normally selected automatically and the site list is updated automatically. Use of this option is not necessary and is included for the convenience of those users who may wish to enter a site manually. You may edit the name of a site using the Edit option (see below).

- **Delete:** Deletes a stored site from the database.

- **Edit:** Edits a selected site, including: the name, latitude, longitude, and time zone. Time Zone refers to the Greenwich Mean Time (GMT) time zone shift. Users West of Greenwich, England use "-" hours, East of Greenwich use "+" hours. For the United States, look up the time zone shift in **Table 1**.

**Note:** Autostar II compensates for daylight savings time, if selected. See **SETUP MENU: DAYLIGHT SAVING**, page 32.

**Owner Info:** Accesses the owner information menu, including:

- **Name:** Users may enter both their first and last names using the Up and Down Arrow keys to cycle through the alphabet. Use the Right and Left Arrow keys to move through the text. Press ENTER when the entry is complete.

- **Address:** Use the Up and Down Arrow keys to enter your street address, city, state, and zip code. Press ENTER when the entry is complete.

**Clone:** Uploads information from one Autostar II handbox to another. Three options are available:

- **Catalogs:** Sends only user-defined object information, such as new satellite orbits or comet data to another Autostar II handbox.

- **Software:** Sends only the basic Autostar II software. This is useful if one user has downloaded a new version of Autostar II software from the Meade website ([www.meade.com](http://www.meade.com)) and wants to pass this software along to friends.

- **All:** Everything—user-defined information and Autostar II software—is sent to another Autostar II.

**Download:** Transfers information from another Autostar II. During the operation, the warning "Downloading Do Not Turn Off" appears.

- **Catalogs:** Receives only user-defined object information, such as new satellite orbits or comet data to another Autostar II handbox.

- **Software:** Receives only the basic Autostar II software. This is useful if one user has downloaded a new version of Autostar II software from the Meade website ([www.meade.com](http://www.meade.com)) and wants to pass this software along to friends.

- **All:** Everything—user-defined information and Autostar II software—is received by another Autostar II handbox.

**Statistics:** Provides basic statistical data about Autostar II, including:

- **Characters Free:** Displays how much room is available in user-defined object memory.

- **Version:** Displays the current version of the Autostar II software.

- **Serial Number:** Displays the unit's serial number.

**Reset:** Completely resets Autostar II. Most values entered into the menus revert to factory defaults. Autostar II requires initialization again after a Reset before proceeding with observations. See **AUTOMATIC ALIGNMENT**, page 22.

## "Hot Button" Menus

Two menus, six object libraries and two functions can be accessed directly using the Number keys (commonly referred to as "hot buttons"). The two functions, the Speed mode and the Utility light are described earlier in the manual.

**Focus Control Menu:** Press Number key "4" to select these menus directly from Autostar II's keypad. Each time you press Focus, the key toggles between focus/focus speed menus and the preset control menus. When "Focuser: Fast" displays, press the Up or Down Scroll keys to select a focus speed (fast, medium, slow or fine). When "Focuser: Position" displays, use the Up or Down Arrow keys to achieve fine focus of the object.

You can toggle the Focus key to display the "Focuser: Preset" menus. The Focuser preset menu allows you to assign nine focus positions. If you "park" the telescope, you can set your own focus, focus for your observing partners and the focus for your camera or imager. Other Preset menus allow you to select a focus you have assigned and also to Sync on a Focus Preset. The Sync on a Focus Preset allows you retrieve focus positions when you **do not park** your telescope. See page 20 for more information. Also see page 32 for information about parking your telescope.

**Reticle Control Menu:** Press Number key "7" to select this menu directly from Autostar II's keypad. "Reticle Control: Set Intensity" displays. Press ENTER. The Intensity menu allows you to change the intensity of the Reticle Eyepiece Illuminator. Use the Scroll keys to change the value. As you change the value, look through the reticle to note how the Intensity changes.

***Note:** You may continue to change the values using the Scroll keys (and thus changing the intensity) until you press ENTER again. This allows you to experiment with the intensity level until you decide which intensity level works best for you. This feature operates in the same manner in the Rate and Duty Cycle menus.*

When you have finished adjusting the intensity, press ENTER. Press Number key "7" again and the Rate menu displays. Press ENTER again. Use the Scroll keys to change the value of the rate at which the Reticle Eyepiece blinks. As you change the value, look through the reticle to note how the Blink Rate changes.

When you have finished adjusting the rate, press ENTER. Next, Press Number key "7" again and the Duty Cycle menu displays. Press ENTER again. The Duty Cycle menu controls how long the Reticle Eyepiece Illuminator is on during a blink cycle. Use the Scroll keys to change the value. As you change the value, look through the reticle to note how the Duty Cycle changes. When you have decided on a Duty Cycle value, press ENTER.

To exit the Reticle menu, press MODE once.

**Object Catalogs:** See page 29 for more information.

## ADVANCED AUTOSTAR II FEATURES

Before trying out the examples in this section, familiarize yourself with the basic operations of Autostar II described earlier in this manual. The following examples assume that you have a basic knowledge of Autostar II and understand how to scroll to a desired menu or menu option, and how to enter numbers and text. It also assumes that you have initialized and aligned your telescope.

### Adding Observing Sites

If you plan to observe using Autostar II at different geographic locations, you can store observation sites in Autostar II's memory to help simplify your telescope setup. Perform these procedures using the Site options (Add, Select, Delete, Edit) of the Setup menu.

#### To Add a Site to the user-defined site list:

In this example, you will choose a city and add it to the database list. You will then select the site to enable it.

1. Navigate to the "Setup: Site" menu. Press ENTER,
2. Scroll through the options until "Site: Add" displays. Press ENTER.
3. Scroll through the list of countries/states. Press ENTER when the country/state you wish to add displays.
4. Scroll through the list of cities. Press ENTER when the city you wish to add displays. The Site is now added to the database. You may add sites using this method.
5. To choose a site, navigate to "Setup: Select." Press ENTER. Scroll through the list of sites. When the desired site displays, press ENTER.

#### To Edit a Site:

In this procedure, you will enter a location that is not available in the Autostar II database by editing data of a nearby site. You will edit the location's name, latitude, longitude, and the time zone shift. You will then select the site to enable it.

You will need to know the latitude and longitude of your location to perform this procedure.

1. Using the Add option, choose a site on the list that is closest to your observing site and press ENTER so that the site is added to your observing sites list. Choosing a site already on the list (as opposed to using the "Custom" feature) makes it easier to edit, as the "Time Zone" value may not need to be changed.
2. Scroll to "Site: Edit" and press ENTER. "Edit: Name" displays. Press ENTER.
3. The name of the site you have just entered to your list displays; if it does not, scroll to the site.
4. Using the Arrow keys, change the name of the site so that it now reads the name of your observing location. Press ENTER. "Edit: Name" displays again.
5. Press the Scroll Down key and "Edit: Latitude" displays. Press ENTER.
6. Using the Number Keys, enter the latitude of your observing site and then press ENTER. "Edit: Latitude" displays again.
7. Press the Scroll Down key and "Edit: Longitude" displays. Press ENTER.
8. Using the Number Keys, enter the longitude of your observing site and then press ENTER. "Edit: Longitude" displays again.
9. Press the Scroll Down key and "Edit: Time Zone" displays. Press ENTER. (If the site you chose from the list in step 1 has the same Time Zone as the site you are editing, just press ENTER again to go on to the next step.) "Time Zone" refers to the Greenwich Time Zone shift. Users West of Greenwich, use "-" hours (one hour per time zone) and users East of Greenwich use "+" hours. For the United States, look up the shift in **TABLE 1**, page 35.
10. After entering the shift, press ENTER. "Edit Time Zone" displays.

**Important Note:**

*The Site information is stored in the Site menu. If you move the telescope more than 5 miles of your initial observing location, Autostar II automatically determines your location when it gets a GPS Fix, and adds the new location to the Site menu.*

11. Press MODE. "Site: Edit" displays.
12. Using the Arrow keys, scroll to "Site: Select." The site you have just edited displays. Press ENTER to select the site.

## Creating User Objects

In this procedure, you will enter coordinates of celestial objects that do not appear in any of the Autostar II libraries. You will enter the object's name and R.A. and Dec. coordinates (required information). You may also enter the object's magnitude and size (optional information).

Although Autostar II contains an extensive database of celestial objects (stars, nebulae, planets, etc.) that you can observe, you may eventually want to view objects that are not part of a library. Autostar II provides a feature that allows you to enter an object's R.A. and Dec. coordinates in the "User: Objects" option of the Object menu and allows automatic slewing of the telescope to the user-entered coordinates.

In order to use this menu option, you first need to look up the R.A. and Dec. coordinates of the object or objects you wish to observe. Check your local library, computer store, or bookstore for astronomy books, CD Roms, or magazines (such as *Sky & Telescope* or *Astronomy*), to find coordinates of celestial objects. The objects/coordinates you enter become part of your own permanent database, called "User Objects."

### To enter coordinates of an object into the "User: Objects" option of the Object menu:

1. Make sure Autostar II has been initialized and the telescope has been aligned.
2. After the telescope is aligned, "Select Item: Object" displays. (If necessary, use the Scroll keys to scroll through the menus, as previously described, to find this option.) Press ENTER.
3. "Object: Solar System" displays. Keep pressing the Scroll Up key until "Object: User Object" displays and press ENTER.
4. "User Object: Select" displays. Press the Scroll Down key once. "User Object: Add" displays. Press ENTER.
5. "Name" displays on the top line and a blinking cursor on the second line. Use the Arrow keys, as previously described, to enter the name of the object you wish to add to the database. When you are finished, press ENTER.
6. "Right Asc.: 00.00.0" displays. Use the Number keys to enter the digits for the Right Ascension coordinate of your object. When you are finished, press ENTER.
7. "Declination: +00°.00" displays. Use the Number keys to enter the digits for the Declination coordinate of your object. If necessary, use the Scroll Keys to change "+" to "-." When you are finished, press ENTER.
8. Autostar II then prompts you to enter the size of the object. This step is optional. Use the Number keys to enter the size (in arc-minutes), if so desired, and press ENTER to go to the next display. If you do not wish to enter this information, simply press ENTER.
9. Autostar II then prompts you to enter the magnitude of the object. This step is also optional. Use the Number keys to enter this information, if so desired, and press ENTER to go to the next display. "User Object: Add" displays again.

### To GO TO a user-entered object:

In this procedure, you will choose an object from the User Object list and GO TO the object.

1. With "User Object: Add" displayed, press the Scroll Up key once. "User Object: Select" displays. Press ENTER.
2. Use the Scroll keys (if necessary) to scroll to the desired object. Press ENTER.
3. The name of the object and the Right Ascension and Declination coordinates display.
4. Press GO TO and the telescope slews to the object.

#### Tip:

#### **Using Autostar II to find objects not in the libraries:**

*If you do not wish to navigate through the menus, a more direct way to enter coordinates is to press and hold MODE for two seconds or more. R.A. and Dec. coordinates display. Press GO TO. "Object Position" and a set of coordinates displays. Enter the R.A. and Dec. coordinates of any celestial object using Number keys, overwriting the coordinates currently displayed. As soon as the coordinates are entered, Autostar II slews the telescope to the coordinates. Note that the telescope must be aligned (see page 22).*

*However, if you wish to store the coordinates of an object in memory, use the method described at the right.*

## Observing Satellites

In this procedure, you will prepare your telescope to observe a satellite pass.

1. Navigate to the "Object: Satellite" menu option and press ENTER.
2. Use the Scroll keys to scroll through the list of satellites.
3. Select a satellite from the list and press ENTER.
4. "Calculating...." and then "Tracking..." displays. If the satellite is going to make a pass, "Located" displays.
5. Use the Scroll keys to display data about the pass: aos—acquisition of signal and los—loss of signal. If you subtract the aos from the los, you can calculate how long the satellite will be visible. Location information also displays.
6. "Alarm" displays after the location information. Press ENTER and Autostar II automatically sets the alarm to sound a minute before the satellite's scheduled appearance. You may return to regular observations until the alarm goes off.
7. When the alarm goes off, return to the Satellite menu and press a Scroll key until the desired satellite is on the top line of the display.
8. Press GO TO. Autostar II slews the telescope to where the satellite should appear. The motor drive stops and a countdown is displayed.

**NOTE:** *If the scheduled appearance position of the satellite is obstructed (i.e., by a building, tree, or hill), press ENTER and Autostar II starts to move the telescope along the expected satellite track. When the track clears the obstruction, press ENTER again to pause the telescope, then continue with this procedure.*

9. With about 20 seconds left on the countdown timer, start watching through the telescope viewfinder for the satellite to enter the field of view.
10. When the satellite enters the viewfinder field of view, press ENTER. The telescope starts to track with the satellite.
11. Use the Autostar II Arrow keys to center the object in the viewfinder, then look through the eyepiece to view the object.

Satellite orbits change and new satellites (including the Space Shuttle) are launched. Visit the Meade website ([www.meade.com](http://www.meade.com)) approximately once a month to get updated information and instructions on how to download this data to Autostar II. If orbital parameters are more than one month old, the satellite pass may not happen at the time predicted by Autostar II. Downloading requires the USB cable supplied with your telescope.

**Note:** *Satellite observing is an exciting challenge. Most satellites are in low orbit, travelling at approximately 17,500 mph. When visible, they move quickly across the sky and are only in the field of view for a few minutes, requiring Autostar II to slew the telescope rapidly. Best viewing is near Sunrise or Sunset when the sky is still dark. Viewing in the middle of the night can be problematic because a satellite may pass overhead, but not be visible as it is in the Earth's shadow.*

### Tips:

*To use the Landmark function, the telescope must be located and aligned exactly as when the landmark(s) was added to the database.*

*To add objects to the Landmark database, the telescope must be located and aligned exactly as when the original objects were added to the database.*

## Landmarks

This menu option allows you to define and store terrestrial objects in the Landmark database. First, a landmark needs to be stored in memory using the "Landmark: Add" option. To view a landmark, use the "Landmark: Select" option. Landmarks may also be viewed using the "Landmark Survey" option in the Utilities menu.

### To Add a landmark to the database:

In this procedure, you will store the location of terrestrial landmarks in Autostar II's memory.

1. Note for future reference where the telescope is located and if you have aligned the telescope, which alignment method is used.
2. Display the "Setup: Targets" menu option. Chose "Terrestrial" and press ENTER. "Setup: Targets" displays again. Choosing this option turns off tracking for astronomical objects which is not useful for the viewing of terrestrial objects such as

those in the Landmark database. Be sure to change this option back to "Astronomical" when you wish to view celestial objects again.

3. Press MODE once. "Select Item: Setup" displays.
4. Press the Scroll Down key once and "Select Item: Object" displays. Press ENTER. "Object: Solar System" displays.
5. Press the Scroll Up key twice and "Object: Landmarks" displays. Press ENTER. "Landmark: Select" displays.
6. Press the Scroll Down key once. "Landmark: Add" displays. Press ENTER.
7. "Landmark Name" displays. Using Arrow keys, enter a name for the landmark you wish to add to the database. When finished, press ENTER.
8. "Center Landmark. Press Enter" displays. Using only the Arrow keys (do not manually move the telescope), move the telescope to the desired landmark and center the object in the eyepiece. Press ENTER. The object is now stored in memory.
9. "Landmark: Add" displays. If you wish to add more landmarks, repeat steps 5 through 8.

**To Select a landmark from the database:**

1. Make sure the telescope is located and aligned exactly as when the desired landmark was entered into memory.
2. Display the "Landmark: Select" menu option. Press ENTER.
3. Use the Scroll keys to scroll through the list of objects you have previously entered. When the desired object displays, press ENTER to select the object.

Use the Scroll keys to scroll through location information about the object, if desired. Press GO TO to slew the telescope to the landmark.

4. Press MODE to exit.

**To perform a Landmark Survey:**

This procedure allows you to perform a tour of the objects entered in the "Object: Landmark" menu option—note that the Landmark Survey will function only if you have previously entered objects in the Landmark menu.

1. Navigate to "Utilities: Landmark Survey" menu and press ENTER.
2. "Landmark Survey: Slewing..." displays. The telescope moves to the first object on the Survey list and displays the name of the object.
3. Press MODE to stop the Survey. Press ENTER to restart the survey at the first object of the survey.

**To check on the available amount of memory in Autostar II:**

Autostar II has a limited amount of memory. Once you begin to store Landmarks, user objects and other bits of information in Autostar II, you will begin to use up memory. This procedure allows you to check on how much memory is still available.

1. Navigate to the "Setup: Statistics" menu option and press ENTER.
2. "Statistics: 37.2K Char. Free" displays. This is the amount of memory that is still available to the user.

**Identify**

This procedure allows you to use Autostar II to identify objects you have found in the night sky using the Arrow keys. If the object is not in Autostar II's database, Autostar II displays information about an object in its database that is closest to the one you queried about.

***Important Note:** For this function to operate properly, you must first initialize and align Autostar II. If you physically move the telescope after initialization, this function will fail to operate properly.*



In this procedure, you will center an object you wish to have identified by Autostar II in the telescope eyepiece and use the "Identify" menu to find out information about the object or the nearest object to it in the Autostar II database.

1. Center the object you wish to have identified in the telescope's eyepiece.
2. Navigate to the "Object: Identify" option and press ENTER.
3. "Searching..." displays. When Autostar II finishes calculating, the name of the closest object displays.
4. Press a Scroll key to display information about this object. Autostar II displays some or all of the following information about the object with each press of a Scroll key:

<b>Displayed information:</b>	<b>Example:</b>
Catalog or common name of object	Messier 107, NGC6171, Orion Nebula, etc
Type of object	Globular Cluster, Nebula, Black Hole, etc.
Right Ascension	16:32:4
Declination	13°03'
Constellation	Virgo, Orion, etc.
Magnitude	3
Size	2'
Scrolling message	"This Globular Cluster is 10,000 light years away..."

## **Browse**

This menu allows you to search the libraries for objects with certain parameters, much like a search engine. "Edit Parameters" lets you set various parameters for the search, and "Start Search" activates the search. A typical search might be performed as follows:

1. Select "Browse" from the Object menu. Press ENTER. "Browse: Start Search" displays.
2. Press one of the Scroll Keys and "Browse: Edit Parameters" displays. Press ENTER.
3. "Edit Parameters: Largest (mins)" displays. "Mins" stands for arc-minutes. Press ENTER.
4. "Largest (mins)" and a value displays. Using the Number keys, enter a size in arc-minutes. Autostar II will search for objects *up to* this size and no larger. Press ENTER.
5. "Edit Parameters: Largest (mins)" displays again. Press the Scroll Down key. "Edit Parameters: Smallest (mins)" displays. Enter the value for the smallest size of an object that Autostar II will search for in the database. Continue with "Brightest," "Faintest," and "Minimum Elevation," using the procedure described in steps 3 and 4.
6. After "Minimum Elevation," "Object Type" displays. Press ENTER. "+Black Hole" displays. If you do *not* wish to have "Black Holes" in your search, press ENTER and the "+" changes to a "-." Press the Scroll Down key to scroll to the next item. "+Diffuse Nebula" displays. Continue to scroll through the list and press ENTER if you wish to change the "+" to a "-" or vice-versa.
7. After you have scrolled to the last item on the "Object Type" list, press MODE twice and the Scroll Down key once. "Browse: Start Search" displays. Press ENTER. "Start Search: Next" displays. Press ENTER. Autostar II searches the database and displays the first object that matches the search parameters you have entered. Use the scroll keys to display information about the object. Press MODE and "Start Search: Next" displays again. Press ENTER and the next item matching the parameters displays. Repeat this procedure to display all the objects. Press GO TO to slew telescope to a displayed object.
8. Press MODE repeatedly to leave this menu.

**Important Note:**

If you disable the automatic alignment/GPS function and then use the alternate alignments described in this section, you will be prompted to enter the Time, Date, and Daylight Savings status.

## Alternate Alt/Az Alignments

If you would rather set up your telescope without using automatic alignment, Autostar II offers alternative alignment methods for both alt/az and equatorial mounting. During the One-Star and Two-Star alt/az alignment procedures, you will (unlike the Automatic and Easy alignment procedures) manually place the telescope in the home position.

The procedures for equatorial (polar) alignment are discussed in **APPENDIX A**, page 57; the three alternative alt/az alignment methods are discussed below.

### Initialize Autostar II

First, you need to initialize Autostar II.

1. Tighten the R.A. and Dec. locks (**13 and 17, Fig. 1a**) to a firm feel.
2. Verify that Autostar II is properly connected to your telescope. See **TO CONNECT AUTOSTAR II**, page 17.
3. Flip the telescope power switch to the ON position.  
The Autostar II screen is activated and a copyright message displays briefly, followed by a short beep. Autostar II takes a few moments to start up the system.
4. A message then displays that warns not to look at the Sun. At the end of this message, press the key prompted by Autostar II to signify that the message has been read and understood.
6. Autostar II displays "Align: Automatic."

You are now ready to align your telescope using one of the three alt/az alignment procedures.

### Easy (Two-Star) Alignment

In this method, Autostar II automatically picks two stars from its libraries for alignment. During the procedure, Autostar II slews the telescope to a first alignment star. The user is asked to verify that the telescope is pointed at the chosen star and then prompted to center the star in the eyepiece. The process is repeated with a second star to complete the alignment.

**Note:** Before performing this procedure, first verify that **INITIALIZE AUTOSTAR II**, above, has been performed.

#### How to perform the Easy Align Procedure

1. **Alignment Option Screen.** Following initialization, "Align: Automatic" displays.
2. **Select Alignment.** Press the Scroll keys until "Align: Easy" displays. Press ENTER.
3. **Home Position.** The telescope automatically sets the following positions: home, level, North, and True North. You may turn off the sensors and manually set these positions. See **HOME SENSORS**, page 34 for more information.
4. **Star Alignment.** Autostar II chooses two stars to align upon. The telescope slews to the first star for alignment. Should the alignment star not appear in the field of view in the eyepiece, it should be easily recognized: It will be the brightest star in the area of the sky where the telescope is pointing. Use the Arrow keys to move the telescope until the star is visible and centered in the eyepiece. Press ENTER. Repeat the procedure for the second alignment star.

**Note:** See **WHICH ONE'S THE ALIGNMENT STAR**, page 23, for some important tips concerning alignments stars and using your viewfinder.

When the procedure is performed correctly, "Alignment Successful" displays. If Autostar II does not display this message, perform this procedure again. (Keep pressing MODE until "Align: Easy" displays and repeat the procedure.)

### Two-Star Alt/Az Alignment

Two-Star Alignment requires some knowledge of the night sky. Autostar II provides a library of bright stars and two stars from this library are chosen by the observer for alignment. In this procedure, Autostar II does not automatically find home, level, or North.

1. **Alignment Option Screen.** "Align: Automatic" displays.
2. **Select Alignment.** Press the Scroll keys until "Align: Two Star" displays. Press ENTER.

**Note:**

*Autostar II locates alignment stars based on the date, time, and location entered. The alignment stars may change from night to night. All that is required is for the observer to center the selected stars in the eyepiece when prompted.*

**Tip:**

**Try a Spiral Search**

*The GO TO key also allows you to perform a "spiral search." A spiral search is useful when the telescope slews to an object, but that object is not visible in the eyepiece after the telescope finishes its search. (This sometimes occurs during an alignment procedure.) Press GO TO when the slew is finished and the telescope starts slewing in a spiral pattern at a very slow speed around the search area. Look through the eyepiece and when the object does become visible, press MODE to stop the spiral search. Then use the Arrow keys to center the object.*

3. **Set Home Position.** Place the telescope in the home position.  
**To Set the Home Position Manually:**
  - a. See **Figs. 32 and 33**, page 34. Loosen the telescope's Dec. lock (**17, Fig. 1a**). Set the optical tube to 0° on the Dec. setting circle (**Fig. 33**).
  - b. Tighten the Dec. lock (**17, Fig. 1a**) to a firm feel only.
  - c. Level the tripod base.
  - d. Move the base of the telescope so that the computer control panel (**12, Fig. 1a**) approximately faces South.
  - e. Unlock the R.A. lock (**13, Fig. 1a**) and turn the telescope's optical tube horizontally until it points North.
  - f. Re-lock the R.A. lock (**13, Fig. 1a**). Press ENTER.
  - g. Press ENTER.

4. **Star Alignment.** "Select Star" displays. Autostar II then displays a library of stars for the observer to choose from. Use the Scroll keys to scroll to a star on the list that you wish to align upon. Select a star that you can easily locate in the night sky. Press ENTER.
5. **Center Star.** The telescope slews to the star. Use the Arrow keys to move the telescope until the star is centered in the eyepiece. Press ENTER.
6. **Center Star.** Repeat procedure for the second alignment star. The telescope is aligned and you are now ready to use Autostar II's GO TO capabilities for a night of observing.

## One-Star Alt/Az Alignment

One-Star Alignment requires some knowledge of the night sky. Autostar II provides a library of bright stars. One-Star Alignment is identical to Two-Star Alt/Az: Alignment (see **TWO-STAR ALT/AZ ALIGNMENT**, page 42), except only one star from the database is chosen by the observer for alignment.

## To Download the Latest Version of Autostar II Software

Included with your telescope is a CD ROM and a USB cable. You need to install the USB drivers, that are included on the CD ROM, **BEFORE plugging in the cable:**

- 1 Select RCX Users (the fourth selection on the list) from the CD Rom.
- 2 Follow on screen instructions (click "Next" and "Finish" buttons when asked to do so).
- 3 Plug in the USB cable. Plug one end into one of the RCX400 USB ports on a computer control panel/ Plug the other end into a USB port of your PC.

Next, you will install the Autostar Suite software from the CD ROM. This software provides a menu that allows you to download the latest version of Autostar II software into the Autostar II handbox.

4. Select Autostar Suite on the CD ROM to install Autostar Suite onto your PC. Follow the on-screen instructions.
5. Once the Autostar Suite software installs, double-click the new "Autostar Suite" icon on the desktop.
6. Go to the Telescope menu and select "Update Autostar." The "Autostar Update" screen displays. Click the "Upgrade Autostar Software Now" button.
7. The application detects your telescope type and the version of Autostar software on your handbox.
8. A window displays asking if you wish to download the latest version of Autostar from your hard drive (if you previously downloaded it separately from the Meade website) or from the internet. Select one of the choices and follow on-screen instructions.
9. The download will take several minutes (download time depends on your internet connection, speed of your computer and so forth). When the download is complete, the new version of the Autostar software displays.

## Periodic Error Correction

If you wish to perform high-precision astrophotography, you may wish to "train" your telescope in order to keep objects that you are imaging dead center in the telescope's field of view during the photographic exposure. Periodic error correction (PEC) helps to remove the slight perturbations from center that occur due to the mechanical nature of a telescope. To perform this procedure, you need to use a high-power reticle, such as the 9mm reticle (see **OPTIONAL ACCESSORIES**, pages 48 - 50). PEC training is available for both drives.

### Train Menu Option

If you perform this procedure in alt/az alignment, you can train the telescope in both the R.A. and the Dec. axes; in polar alignment, you need only train the telescope's R.A. axis. If you train the telescope in polar alignment, make sure that "Polar" is selected in the "Telescope: Mount" menu ("Alt/Az" is the default setting).

To perform the procedure on the Dec. axis (Alt/Az mode), pick a bright star in the East or West that is about about 20° above the horizon.

To perform the procedure on the R.A. axis (Alt/Az mode), pick a bright star in the South that has minimal movement and is about 30° above the horizon (**Note: If in the Southern hemisphere, pick a star in the North that is about 30° above the horizon**).

**Important Note:** The Train option overwrites any previous PEC data.

1. Select "Train" from the Dec. PEC menu (in the "Setup: Telescope" menu) and press ENTER.
2. Look through the reticle. Use the Arrow keys to keep the star centered in the reticle cross-hairs. Autostar II displays a count of the 200 positions of the worm gear. When the count reaches 200, one cycle is complete. A full cycle takes about 8 minutes.
3. Select "Train" from the R.A. PEC menu (in the "Setup: Telescope" menu) and press ENTER.
4. Look through the reticle. Use the Arrow keys to keep the star centered in the reticle cross-hairs. Autostar II displays a count of the 200 positions of the worm gear. When the count reaches 200, one cycle is complete. Unlike Dec. Pec., you need to perform the R.A. PEC for three full cycles or a count of 600. Three cycles take about 24 minutes.
5. Press MODE to exit.

### Update Menu Option

Use the Update option to further refine your training; it is recommended that you update your original training two or three times when first using your telescope. Update does not overwrite the data, but updates the training using information gathered from both the last and the current training sessions. Press the MODE key to exit from this option. If you wish to further refine your training, select this menu again and repeat the procedure.

### Erase Menu Option

Select this option to erase all PEC training data.

### On and Off Menu Options

Select "On" when you want the telescope to use the training information. Select "Off" when you do not want for the telescope to use the training information. Select "On" to enable the Smart Drive.

# PHOTOGRAPHY

The RCX400 optical design consists of a hyperbolic secondary and corrector lens/primary combination that performs as one hyperbolic element. The corrector plate advantage, aside from the obvious optical correction that the lens produces, allow astrophotographers to make images free of diffraction spikes, with diffraction spikes being the only real negative to a traditional Ritchey-Chrétien design.

You may perform through-the-telescope photography with any 35mm camera body with a removable lens. You may connect a camera to a #62 T-Adapter. Using this method, the telescope effectively becomes the lens of the camera.

The #62 T-Adapter connects to a T-Mount for the particular brand of 35mm camera being used, followed by the camera body.

To orient an object in the viewfinder of the 35mm camera body, use a small jeweler's screwdriver to slightly loosen three adjustment screws around the outer knurled ring of the T-Mount. Rotate the camera body to achieve proper orientation of the object; then re-tighten the adjustment screws.

The #62 T-Adapter permits close-coupling of a camera body to the telescope. In this format vignetting occurs: The photographic image appears on film with a slight darkening (vignetting) at the corners of the 35mm frame (**Fig. 34**).

Photography through a long lens such as the RCX400 requires special technique for good results, and the photographer should probably expect to waste a roll or two of film in acquiring this technique. Long-lens photography has its own rewards, however, rewards that short-focus lenses cannot duplicate.

## A few tips on photography with the RCX400 telescopes:

1. Use the Field Tripod for the telescope. At an effective focal length of 2000mm or more, even small external vibrations can easily ruin an otherwise good photo.  
For best results in photographing celestial objects, a wedge and One-Star polar alignment is recommended. See **APPENDIX A**, page 57.
2. Use a cable-operated shutter release. Touching the camera body to initiate shutter operation almost certainly introduces undesirable vibrations.
3. Focus the image with extreme care. While observing the subject through the camera's reflex viewfinder, focus the telescope. Note that some 35mm cameras may have an optional focusing screen (available from the manufacturer) for use with a long telephoto lens. This screen provides a brighter and clearer image to focus, and is highly recommended.
4. Correct shutter speeds vary widely, depending on lighting conditions and film used. Trial-and-error is the best way to determine proper shutter speed in any given application.

**Note:** *The camera used with your telescope may have an exposure meter that is still active when the standard lens is removed and the body is connected to the telescope with the T-Mount. If used for terrestrial photography, the camera meter should be acceptable. If used for astrophotography, the meter probably will not provide good results since camera meters are not made to compensate for a dark sky.*

5. Terrestrial photography through the RCX400 is sensitive to heat waves rising from the Earth's surface. Long distance photography is best accomplished in the early morning hours before the Earth has had time to build up heat.
6. Photography of the Moon and planets through the RCX400 can be especially gratifying, but points 1 through 4 should be particularly noted in this case. If you wish to take photographs using polar alignment, see **APPENDIX A**, page 57.



**Fig. 34:** Example of vignetting.

### Photography with a Digital Camera

Although digital cameras still cannot match the quality of images provided by traditional 35mm cameras, they provide some significant advantages to the casual astrophotographer: You do not have to develop the images (instant images), lower costs, computer and internet readiness. And because unwanted photos are easily discarded, they provide the freedom to experiment.

Digital cameras present some problems for the astrophotographer: Many models have lenses that cannot be removed, difficulties in attaching to a telescope, possible vignetting, lack manual focusing and shorter exposure times.

Shorter exposure times is one of the biggest drawback. Long exposures with digital cameras introduce undesirable noise and artifacts into a digital image. This limits the range of astro images to the Moon, planets and bright stars.

Some tips for better photos:

- If you cannot remove the lens to your camera, look for a commercially available digital T-adapter. New solutions for attaching a digital camera to a telescope are becoming available as time goes by.
- If the camera is not directly coupled to the eyepiece, keep it as close to the eyepiece as possible and center the image to be photographed to minimize vignetting (darkening of the edges of the photo).
- Try to block ambient light (from street lights, house, etc.) from the eyepiece and the camera with a piece of cardboard, a screen, etc.
- Keep extra (charged) batteries on hand for your camera as digital cameras often drain batteries in a short period of time. Rechargeable Lithium batteries provide power for a longer period than non-rechargeable batteries. If practical, use an AC adapter.
- Avoid short-focus eyepieces. They present many difficulties for digital cameras.
- If using manual focus, set to infinity. Otherwise, using the camera's autofocus is OK.
- Experiment with your camera's exposure, brightness and /or contrast settings. Keep notes for future reference.
- Clean eyepieces and camera lens as needed.
- Many digital cameras have a manual ISO setting. Short exposures times work the best.
- Use your camera's highest image quality and lowest compression settings. Although this fills up your camera's memory more quickly, it produces the best quality photos.
- Use the camera's timer or remote shutter release (if available for your camera) to minimize vibration. Wireless shutter releases may be available for some model digital cameras. If you do not have a shutter release, use the camera's timer (sometimes called "self-timer"), which is available with most digital cameras. The timer may also minimize vibration.



Fig. 35: The Lunar Planetary Imager.



Fig. 36: The Deep Sky Imager.

### Photography with Meade's AutoStar Suite™

The AutoStar Suite with Meade LPI™ (Lunar Planetary Imager) or Meade Deep Sky Imager™ turns your Meade RCX400 telescope, AutoStar and PC into even more powerful and easy-to-use astronomical instrument.

LPI (Fig. 35) and Deep Sky Imager (Fig. 36) combine the power of an electronic astronomical imager with the simplicity of a web cam. Check out the following imager features:

- Achieve great results the first time out on the Moon, planets, brighter deep-sky objects and terrestrial targets.
- Easy to use with real-time display of object on your PC screen. Just center, focus and shoot.

- Magic Eye software-assisted focusing.
- Automatic and manual exposure control from .001 to 15 seconds (up to 450x longer than web cams).
- Automatically takes multiple exposures.

The AutoStar Suite Software includes powerful tools to help you get the most from your Meade RCX400 telescope:

- Sophisticated planetarium program with over 19 million objects.
- Select objects from the planetarium display and the telescope slews to those objects.
- Create time-lapse movies of objects, such as Jupiter
- Create your own Guided Tours.
- Advanced Image Processing Software including Unsharp Masking, Convolution Filtering and many other features.
- Control all AutoStar functions from your PC.
- Talking Telescope software translates AutoStar text to synthesized speech through PC speaker.
- Includes a cable to connect your RCX model to your PC.

See the CD Rom that is included with AutoStar Suite for more information and instruction manual.



**Fig. 37a:** Image of M13 captured with the Deep Sky Imager.



**Fig. 37b:** Image of M51 captured with the Deep Sky Imager.



**Fig. 38a:** The Deep Sky Imager connected to the RCX400 diagonal mirror.



**Fig. 38b:** The Deep Sky Imager connected to the RCX400 with a flip mirror optional accessory.

## OPTIONAL ACCESSORIES

A wide assortment of professional Meade accessories is available for the RCX400 telescope models. The premium quality of these accessories is well-suited to the quality of the instrument itself. **Consult the Meade General Catalog for complete details on these and other accessories.**

### Meade Series 4000 Eyepieces:

Eyepiece	10" f/8	12" f/8	14" f/8	16" f/8
	Power/Actual Field	Power/Actual Field	Power/Actual Field	Power/Actual Field
<b><i>Plössl Eyepieces (5 elements; 1.25" O.D., except as noted)</i></b>				
5.5mm (6-elements)	369/0.16°	443/0.14°	517/0.12°	591/0.10°
9 mm	226/0.26°	271/0.22°	316/0.19°	361/0.17°
14mm	145/0.41°	174/0.34°	203/0.30°	232/0.26°
20mm	102/0.58°	122/0.49°	142/0.42°	163/0.37°
26mm	78/0.76°	94/0.64°	109/0.55°	125/0.48°
32mm (2" O.D.)	64/0.93°	76/0.79°	89/1.67°	102/0.59°
40mm (2" O.D.)	51/1.17°	61/0.98°	71/1.85°	81/0.74°
<b><i>Super Wide Angle Eyepieces (6-elements; 1.25" O.D., except as noted)</i></b>				
16mm	127/0.53°	152/0.45°	178/0.38°	203/0.33°
20mm	102/0.67°	122/0.56°	142/0.48°	163/0.42°
24mm	85/0.80°	102/0.67°	119/0.57°	135/0.50°
28mm	73/0.93°	87/0.78°	102/0.67°	116/0.41°
34mm (2" O.D.)	60/1.13°	72/0.94°	84/0.81°	96/0.59°
40mm (2" O.D.)	51/1.33°	61/1.11°	71/0.96°	81/0.74°
<b><i>Ultra Wide Angle Eyepieces (8-elements; 1.25" O.D., except as noted)</i></b>				
4.7mm	432/0.18°	519/0.16°	605/0.14°	691/0.12°
6.7mm	303/0.27°	364/0.23°	425/0.19°	485/0.17°
8.8mm	231/0.35°	277/0.30°	323/0.25°	369/0.22°
14mm	145/0.57°	174/0.47°	203/0.40°	232/0.35°
18mm	113/0.73°	135/0.61°	158/0.52°	181/0.45°
24mm (2" O.D.)	85/0.96°	102/0.80°	119/0.68°	135/0.60°
30mm (2" O.D.)	68/1.20°	81/1.01°	95/0.86°	108/0.76°



**Fig. 39:** Series 5000 5 Element Plössl Eyepieces.



**Fig. 40:** Series 5000 Super Wide Angle Eyepieces.



**Fig. 41:** Series 5000 Ultra Wide Angle Eyepieces.



**Fig. 42:** Series 5000 TELEXTENDERS.

**Series 5000 TeleXtenders:** An advanced 4-element design flattens the field of view, and the fully coated lenses deliver the maximum light transmission, the highest contrast and an image free of color fringing. Maintains a comfortable eye relief of longer focal length eyepieces, while increasing magnification.

Magnification	Barrel Size	# of elements
2x	1.25"	4
3x	1.25	4
5x	1.25	4
2x	2.00 (w/1.25" adapter)	4

**Series 4000 8 - 24mm Zoom Eyepiece:** The internal zoom optics of this eyepiece move on smooth, precisely machined surfaces which maintain optical collimation at all zoom settings. A scale graduated in 1mm units indicates the zoom focal length in operation. An excellent addition to any eyepiece set.

**Series 4000 Photo-Visual Color Filters:** Color filters significantly enhance visual and photographic image contrast of the Moon and planets. Each filter threads into the barrel of any Meade 1.25" eyepiece, and into the barrels of virtually all other eyepiece brands as well. Meade filters are available in 12 colors for lunar and planetary applications, and in Neutral Density as a lunar glare-reduction filter.





**Fig. 43:** Series 4000 8 - 24mm Zoom Eyepiece.



**Fig. 44:** #905 Variable Polarizer and #1A Skylight Filter.



**Fig. 45:** Illuminated Reticle Eyepiece.



**Fig. 46:** #62 T-Adapter.

**Series 4000 Nebular Filters:** A modern boon to the city-dwelling deep-space observer, the interference nebular filter effectively cancels out the effects of most urban light pollution, while leaving the light of deep-space nebular emissions virtually unattenuated. Meade **Series 4000 Nebular Filters** utilize the very latest in coating technology, and are available with threaded cells for eyepieces or for attachment to the rear cells of Meade Schmidt-Cassegrain models.

**Variable Tele-Extender:** For eyepiece-projection photography of the Moon and the planets, a Tele-Extender is required. The **Variable Tele-Extender** threads onto the telescope's eyepiece-holder, into which is inserted an eyepiece of typically about 26mm focal length; the 35mm camera body couples to the tele-extender by means of a T-Mount. The Meade **Variable Tele-Extender** permits a range of projection images.

**#928 45° Erect-Image Diagonal Prism:** Diagonal mirrors and prisms result in images that are correctly oriented up-and-down but reversed left-for-right. For terrestrial observing a fully correctly oriented telescopic image is desirable; the **#928 Diagonal Prism** accomplishes this image correction and places the eyepiece at a convenient 45° viewing angle. The #928 is for use with the 1.25" Eyepiece-Holder.

**Series 4000 Plössl 9mm Illuminated Reticle Eyepiece:** The most advanced commercially-available illuminated reticle eyepiece, the **Series 4000 Plössl 9mm** model, powered by an internal battery, includes micrometric x-y positioning controls which greatly facilitate locking onto the guide star: Turn the finely-threaded controls and place the reticle's crossline pattern precisely at the desired position in the field. The sharp, high-power imaging of the 4-element, multi-coated Plössl optical system is complemented by a rubber eyecup (foldable for eyeglass wearers) that shuts out distracting stray light from the observer's eye. The upper (lens) section of the eyepiece rotates on a fine thread for precise diopter adjustment to the user's eye. Reticle pattern is a double crossline with two concentric circles.

**#62 T-Adapter:** The T-Adapter is the basic means of prime-focus photography through all Meade Schmidt-Cassegrain models. Thread the T-Adapter on to the rear cell of your telescope, followed by a T-Mount for your 35mm camera, and the camera body is rigidly coupled to the telescope.

**#777 Off-Axis Guider:** The Off-Axis Guider provides a means during long-exposure astrophotography for the photographer to monitor the tracking of the telescope to assure that the telescope remains precisely positioned on the object being photographed. Like the T-Adapter, the **Off-Axis Guider** couples the camera body to the telescope but it also causes a small amount of the guidestar's incoming light to be diverted at a right angle, where the star's position can be examined for tracking errors with an illuminated reticle eyepiece; position corrections can then be effected using Autostar II.

**Piggyback Brackets:** Piggyback photography is one of the most popular and easiest ways to get started in astrophotography. Attach your 35mm camera, with its own 35mm-to-250mm lens, atop your RCX400 in equatorial mode, and guiding the camera through the main telescope, wide-field photos of the Milky Way of remarkable detail and clarity can be taken.

**Dew Shields:** In moist climates, water particles suspended in the atmosphere may condense on the front surface of the telescope's correcting plate. This dew formation may be inhibited to a significant extent by the addition of a dew shield, essentially an extension tube attaching to the front-cell of the telescope.

**#905 Variable Polarizer (1.25"): #1A Skylight Filter:** The #905 system includes 2 Polarizer filters mounted in a specially-machined cell, for glare-reduction in observing the Moon. Rotate the thumbscrew at the side of the unit to achieve light transmission between 5% and 25% of its original value. The #905 inserts into the diagonal mirror of the telescope, followed by an eyepiece. The #1A Skylight Filter threads onto the rear cells of all Meade RCX models and effectively seals the interior of the telescope from dust. All other rear cell accessories may then be threaded to the #1A filter. The filter increases visual and photographic contrast, decreases glare, and helps to penetrate haze.



Fig. 47: The Deep Sky Imager.

**#1220 Field De-rotater:** The field de-rotater attaches to the rear cell of the telescope and plugs into an RS232 (Serial) port. Digital data fed from the telescope's micro-processor to the field de-rotater permit precise and continuous update of the de-rotation required to maintain pinpoint star images throughout the field. The effect is that even during the longest CCD or photographic exposures, the telescope acts as if it were precisely equatorially mounted. **#1222 Field De-rotater:** For use with the 16" RCX400. Plugs into a special connector on the control panel.

**RCX AC Wall Adapter:** Permits powering from a standard home (115v AC) outlet.

**Cigarette Lighter Adapter:** Powering the RCX400 telescope by means of an automobile cigarette lighter plug.

**#644 Flip Mirror System:** Has an X/Y adjustment mechanism for the diagonal mirror with locks for the precise centering, and multiple rotating adapters for T-thread and 1.25" camera attachment. Accepts 1.25" O.D. eyepieces and has a clear aperture of 22mm. Use with small to medium size chip CCD cameras. See **Fig. 46**, page 49, to see image of the Flip Mirror System attached to the rear cell of an RCX400 model.

**#647 Flip Mirror System:** Has an X/Y adjustment mechanism for the diagonal mirror with locks for the precise centering, and multiple rotating adapters for T-thread and 1.25" camera attachment. Accepts 1.25" O.D. and 2.00" eyepieces and has a clear aperture of 40mm. Use with medium to large size chip CCD cameras. See **Fig. 46**, page 49, to see image of the Flip Mirror System attached to the rear cell of an RCX400 model.

**CCD Framing Ocular:** Displays rectangular frame of all popular CCD chip sizes. Inserts directly into the eyepiece holder or flip mirror. Includes variable LED illumination control and batteries.

**Astrometric Eyepiece:** A high-precision 3-element achromatic eyepiece for a wide range of astronomical measurements. Measure double star separations, position angles, planetary diameters, lunar crater diameters and so forth. Includes variable LED illumination control and batteries.

**RCX Super Wedge:** The equatorial wedge permits use of the RCX400 models in an astronomical, or "equatorial," mode. The superwedge fits onto the RCX tripod. Equatorial alignment allows you to take longer exposure photographs with your RCX400. See **APPENDIX A: EQUATORIAL (POLAR) ALIGNMENT**, page 57 to 61, for further information.

**Deep Sky Imager:** The Deep Sky Imager combines the power of an electronic astronomical imager with the simplicity of a web cam, allowing you to capture deep sky images on your PC. See **PHOTOGRAPHY WITH AUTOSTAR SUITE**, pages 47 and 48, for more information.

More accessories will soon be available for your RCX400 model. To find out more about these and other accessories available for your telescope, check out the Meade General Catalog or contact your local Meade dealer. Also check out Meade's latest ads in *Sky and Telescope* and *Astronomy* magazine.

## RCX400 TIPS

### Star Charts

Even with the Autostar II's massive 180,000 object library, star charts and planispheres are still useful for a variety of reasons. In particular, they are a great aid in planning a night of celestial viewing.

A wide variety of star charts are available in books, in magazines, on the internet and on CD Roms. Meade offers Autostar Suite and other star locator software. Contact your Meade dealer or Meade's Customer Service department for more information.

*Astronomy* and *Sky and Telescope* magazines print star charts each month for up-to-the-minute maps of the heavens.

## MAINTENANCE

RCX400 telescopes are precision optical instruments designed to yield a lifetime of rewarding applications. Given the care and respect due any precision instrument, your RCX400 will rarely, if ever, require factory servicing. Maintenance guidelines include:

- a. Avoid cleaning the telescope's optics: A little dust on the front surface of the telescope's correcting lens causes virtually no degradation of image quality and should not be considered reason to clean the lens.
- b. When absolutely necessary, dust on the front lens should be removed with gentle strokes of a camel hair brush or blown off with an ear syringe (available at any pharmacy). DO NOT use a commercial photographic lens cleaner.
- c. Organic materials (e.g., fingerprints) on the front lens may be removed with a solution of 3 parts distilled water to 1 part isopropyl alcohol. You may also add 1 drop of biodegradable dishwashing soap per pint of solution. Use soft, white facial tissues and make short, gentle strokes. Change tissues often.

**Caution:** Do not use scented or lotioned tissues or damage could result to the optics.

- d. Do not, for any reason, remove the correcting plate from its machined housing for cleaning or other purposes. You will almost certainly not be able to replace the corrector in its proper rotational orientation and serious degradation of optical performance will result. Meade Instruments assumes no liability for damage incurred to the telescope in this way.
- e. If the RCX400 is used outdoors on a humid night, water condensation on the telescope surfaces will probably result. While such condensation does not normally cause any damage to the telescope, it is recommended that the entire telescope be wiped down with a dry cloth before the telescope is packed away. Do not, however, wipe any of the optical surfaces. Rather, simply allow the telescope to sit for some time in the warm indoor air, so that the wet optical surfaces can dry unattended.
- f. If your RCX400 is not to be used for an extended period, perhaps for one month or more, it is advisable to remove the batteries from the telescope. Batteries left in the telescope for prolonged periods may leak, causing damage to the telescope's electronic circuitry.
- g. Do not leave your RCX400 inside a sealed car on a warm summer day; excessive ambient temperatures can damage the telescope's internal lubrication and electronic circuitry.

### Collimation

The optical collimation (alignment) of any astronomical telescope used for serious purposes is important, but in the case of the RCX design, such collimation is absolutely essential for good performance. Take special care to read and understand this section well so that your telescope will give you the best optical performance.

As part of final optical testing, every Meade RCX400 telescope is precisely collimated at the Meade factory before shipment. However, vibrations in shipping can cause the optical system to become misaligned. Re-aligning the optics is, however, a straightforward process with the RCX400.

#### Test your Collimation

Before collimating your RCX400, you will need to test your collimation.

To test the collimation, center a bright star that is overhead, or use a "hot spot" of reflected Sunlight from a chrome car bumper, with the supplied 24mm eyepiece. Allow the telescope to adjust to the temperature of your observation site before proceeding; temperature differences between the optics and the outside air can cause distortion in the images. Autostar II offers two options in the Utilities menus that take temperature readings: "OTA Temperature" (the temperature of the corrector plate) and "Ambient Temperature" (the temperature of the air around the fork arms).

When the star or hot spot is centered, de-focus the image. You will notice that the out of focus star image looks like a ring of light surrounding a dark central spot; the dark central spot is in fact the shadow of the secondary mirror. You may notice multiple

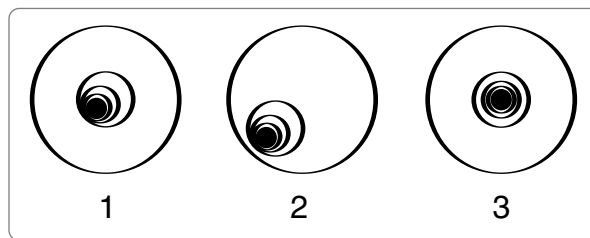
rings; these are called diffraction rings. Focus until the diffraction rings fills about 10% of the eyepiece field-diameter. If the dark central spot is offset in (i.e., not concentric with) the diffraction rings, your telescope's optical system is misaligned and requires collimation.

**Follow these steps for collimation of the optical system:**

The only adjustments possible, or necessary, on the RCX400 models is performed with the AutoStar handbox. No adjustment screws are necessary, as with traditional telescopes. A high-powered eyepiece, such as a 9mm eyepiece, or a 9mm eyepiece with a 2x barlow, is required for collimation. A good rule of thumb to follow is to select the highest power eyepiece you will use with your telescope, and double it (a 2x barlow is ideal for doubling). See **Fig. 48** below, to see images of an aligned and misaligned image.

- a. Select the "Collimation" option in the Setup/Telescope menu. Once this option is selected, you will be able to use Autostar's Arrow keys to adjust the image of the star you have selected.
- b. While looking through the eyepiece, Use Autostar II's Arrow keys at the slowest slew speed, begin to move the defocused center ring so that the rings become more concentric. You will most likely need to press more than one Arrow key.
- c. You will notice that the star image will move across the field of view of the eyepiece. If while using the Arrow key, the defocused star image moves out of the eyepiece field, press MODE to temporarily leave the collimation menu.
- d. When you have left the "Collimation" menu, use the Arrow keys to bring the image back to the center of the eyepiece field.
- e. Press ENTER to select the "Collimation" option again.
- f. Use the Arrow keys to continue to adjust the image until it become concentric. If the image moves out of the eyepiece field, perform steps c through e as many times as necessary.
- g. Carefully examine the concentricity of the diffraction rings. Always double check the image in the center of the field of the eyepiece. The star point should appear as a small central dot (commonly referred to as an "Airy disc") with a diffraction ring surrounding it. You now have the best alignment of the optics possible with this telescope.

**Set Default and Restore Default Options:** The factory has collimated your telescope and saved the settings in the Restore Default option. You may retain this setting and recall it if the telescope needs collimation. Or you may **overwrite** this setting using the Set Default option after performing precise collimation and recall it again when needed with the Restore Default option.



**Fig. 48:** Defocused star images. Misaligned (1, 2), Aligned (3).

## Inspecting the Optics

**A Note about the “Flashlight Test:”** If a flashlight or other high-intensity light source is pointed down the main telescope tube, the view (depending upon the observer’s line of sight and the angle of the light) may reveal what appear to be scratches, dark or bright spots, or just generally uneven coatings, giving the appearance of poor quality optics. These effects are only seen when a high intensity light is transmitted through lenses or reflected off the mirrors, and can be seen on any high quality optical system, including giant research telescopes.

The optical quality of a telescope cannot be judged by the “flashlight test;” the true test of optical quality can only be conducted through careful star testing.

## Gauging the Movement of the Telescope

A common complaint of many first-time motorized telescope owners is that they cannot see the telescope “move” when the motor drive is engaged. In fact, when the batteries are installed, the power is on and the R.A. lock (**13, Fig. 1**) engaged, the telescope is moving. However, the movement is at the same speed as the hour hand of a 24-hour clock; as such, the movement is difficult to discern visually.

To check the movement of your telescope, look at an astronomical object through the telescope’s eyepiece with the telescope aligned and with the motor drive on. If the object remains stationary in the field of view, your telescope is operating properly. If not, check to ensure that you have engaged the R.A. lock and that the power switch on the control panel is on.

## Meade Customer Service

If you have a question concerning your RCX400, contact the Meade Instruments Customer Service Department at:

**Telephone:** (949) 451-1450

Customer Service hours are 7:00 AM to 6:00 PM, Pacific Time, Monday through Friday. In the unlikely event that your RCX400 requires factory servicing or repairs, write or call the Meade Customer Service Department first, before returning the telescope to the factory, giving full particulars as to the nature of the problem, as well as your name, address, and daytime telephone number. The great majority of servicing issues can be resolved by telephone, avoiding return of the telescope to the factory. If factory service is required, you will be assigned a Return Goods Authorization (RGA) number prior to return.

# TELESCOPE SPECIFICATIONS

## 10" f/8 RCX400 Specifications

Optical design.....	Advanced Ritchey-Chrétien
Clear aperture.....	254mm (10")
Focal length .....	2032mm
Focal ratio (photographic speed) .....	f/8
Resolving power .....	0.45 arc sec
Focus .....	4-speed front focusing mechanism
Slow Motion Controls .....	Both axes
Coatings .....	Ultra-high transmission coatings (UHTC)
Mounting.....	heavy duty forks
Gears .....	5.75"-dia. worm gears, both axes
Periodic Error Correction .....	Both axes
Control panel .....	2 multi-function, multi-port panels
Temperature Control .....	Thermal stabilization fan .....internal dew heater
Alignment .....	Altazimuth or equatorial w/optional wedge
Pointing Precision .....	2 arc-minutes in GO TO mode
Slew Speeds.....	1x sidereal to 8°/sec in 9 increments
Power .....	8 C-cell (user-supplied) batteries or optional 115v AC cord powered from auto cigarette lighter
Tripod .....	Ultra-stable variable-height field tripod
Accessories .....	8 x 50mm viewfinder .....2.0 diagonal mirror with 1.25" adapter UltraWide 24mm eyepiece, 16-channel Sony GPS receiver, extended sensitivity, magnetic declination compensation True-level and North electronic sensors

## 12" f/8 RCX400 Specifications

Optical design.....	Advanced Ritchey-Chrétien
Clear aperture.....	305mm (12")
Focal length .....	2438mm
Focal ratio (photographic speed) .....	f/8
Resolving power .....	0.375 arc sec
Focus .....	4-speed front focusing mechanism
Slow Motion Controls .....	Both axes
Coatings .....	Ultra-high transmission coatings (UHTC)
Mounting.....	heavy duty forks
Gears .....	5.75"-dia. worm gears, both axes
Periodic Error Correction .....	Both axes
Control panel .....	2 multi-function, multi-port panels
Temperature Control .....	Thermal stabilization fan .....internal dew heater
Alignment .....	Altazimuth or equatorial w/optional wedge
Pointing Precision .....	2 arc-minutes in GO TO mode
Slew Speeds.....	1x sidereal to 8°/sec in 9 increments
Power .....	8 C-cell (user-supplied) batteries or optional 115v AC cord powered from auto cigarette lighter
Tripod .....	Ultra-stable variable-height field tripod
Accessories .....	8 x 50mm viewfinder .....2.0 diagonal mirror with 1.25" adapter UltraWide 24mm eyepiece, USB cable, 16-channel Sony GPS receiver, extended sensitivity, magnetic declination compensation True-level and North electronic sensors

## 14" f/8 RCX400 Specifications

Optical design .....	Advanced Ritchey-Chrétien
Clear aperture .....	356mm (14")
Focal length .....	2845mm
Focal ratio (photographic speed) .....	f/8
Resolving power .....	0.321 arc sec
Focus .....	4-speed front focusing mechanism
Slow Motion Controls .....	Both axes
Coatings .....	Ultra-high transmission coatings (UHTC)
Mounting .....	heavy duty forks
Gears .....	5.75"-dia. worm gears, both axes
Periodic Error Correction .....	Both axes
Control panel .....	2 multi-function, multi-port panels
Temperature Control .....	Thermal stabilization fan .....internal dew heater
Alignment .....	Altazimuth or equatorial w/optional wedge
Pointing Precision .....	2 arc-minutes in GO TO mode
Slew Speeds .....	1x sidereal to 8°/sec in 9 increments
Power .....	8 C-cell (user-supplied) batteries or optional 115v AC cord powered from auto cigarette lighter
Tripod .....	Ultra-stable variable-height field tripod
Accessories .....	8 x 50mm viewfinder .....2.0 diagonal mirror with 1.25" adapter UltraWide 24mm eyepiece, USB cable, 16-channel Sony GPS receiver, extended sensitivity, magnetic declination compensation True-level and North electronic sensors

# AUTOSTAR II SPECIFICATIONS

## Advanced Autostar II System Specifications

Processors .....	10 processors arranged in a Distributed Intelligent Network Architecture to facilitate parallel task management (U.S. Patent 6,304,376)
Flash Memory .....	4 MB, reloadable
Database.....	180,000 objects
Drive Control.....	Smart Mount, plus 185-speeds on both axes

## Autostar II Handbox Specifications

Keypad .....	20 key alphanumeric
Display .....	2 line, 16 character LCD
Backlight .....	Red LED
Utility Light .....	Yes
Coil Cord.....	24"
Length.....	6.56" (16.6cm)
Width (LCD end).....	3.19" (80cm)
Width (Connector end) .....	2.25" (57cm)
Depth .....	0.81" (21cm)
Autostar II net weight .....	1.12 lbs (0.51kg)



# APPENDIX A: EQUATORIAL (POLAR) ALIGNMENT

## Equatorial Alignment

In equatorial (or "polar") Alignment, the telescope is oriented so that the horizontal and vertical axes of the telescope are lined up with the celestial coordinate system.

In order to equatorially align your telescope, it is essential to have an understanding of how and where to locate celestial objects as they move across the sky. This section provides a basic introduction to the terminology of equatorially-aligned astronomy, and includes instructions for finding the celestial pole and for finding objects in the night sky using Declination and Right Ascension.

## Celestial Coordinates

A celestial coordinate system was created that maps an imaginary sphere surrounding the Earth upon which all stars appear to be placed. This mapping system is similar to the system of latitude and longitude on Earth surface maps.

In mapping the surface of the Earth, lines of longitude are drawn between the North and South Poles and lines of latitude are drawn in an East-West direction, parallel to the Earth's equator. Similarly, imaginary lines have been drawn to form a latitude and longitude grid for the celestial sphere. These lines are known as **Right Ascension** and **Declination**.

The celestial map also contains two poles and an equator just like a map of the Earth. The poles of this coordinate system are defined as those two points where the Earth's North and South poles (*i.e.*, the Earth's axis), if extended to infinity, would cross the celestial sphere. Thus, the North Celestial Pole (**1, Fig. 49**) is that point in the sky where an extension of the North Pole intersects the celestial sphere. The North Star, Polaris, is located very near the North Celestial Pole (**1, Fig. 49**). The celestial equator (**2, Fig. 49**) is a projection of the Earth's equator onto the celestial sphere.

So just as an object's position on the Earth's surface can be located by its latitude and longitude, celestial objects may also be located using Right Ascension and Declination. *For example:* You could locate Los Angeles, California, by its latitude (+34°) and longitude (118°). Similarly, you could locate the Ring Nebula (M57) by its Right Ascension (18hr) and its Declination (+33°).

- **Right Ascension (R.A.):** This celestial version of longitude is measured in units of hours (hr), minutes (min), and seconds (sec) on a 24-hour "clock" (similar to how Earth's time zones are determined by longitude lines). The "zero" line was arbitrarily chosen to pass through the constellation Pegasus, a sort of cosmic Greenwich meridian. R.A. coordinates range from 0hr 0min 0sec to 23hr 59min 59sec. There are 24 primary lines of R.A., located at 15-degree intervals along the celestial equator. Objects located further and further East of the zero R.A. grid line (0hr 0min 0sec) carry higher R.A. coordinates.

- **Declination (Dec.):** This celestial version of latitude is measured in degrees, arc-minutes, and arc-seconds (*e.g.*, 15° 27' 33"). Dec. locations North of the celestial equator are indicated with a plus (+) sign (*e.g.*, the Dec. of the North celestial pole is +90°). Dec. locations South of the celestial equator are indicated with a minus (-) sign (*e.g.*, the Dec. of the South celestial pole is -90°). Any point on the celestial equator (such as the constellations of Orion, Virgo, and Aquarius) is said to have a Declination of zero, shown as 0° 0' 0."

## Setting Circles

Setting circles included with the RCX400 models permit the location of faint celestial objects not easily found by direct visual observation. The R.A. circle (**Fig. 51**) is located on the top surface of the telescope's drive base. The Declination circle (**Fig. 50**) is located at the top of the fork tube. With the telescope pointed at the North Celestial Pole, the Dec. circle should read 90° (understood to mean +90°). Objects located below the 0-0 line of the Dec. circle carry minus Declination coordinates. Each division of the Dec. circle represents a 1° increment. The R.A. circle runs from 0<sup>hr</sup> to (but not including) 24<sup>hr</sup>, and reads in increments of 5<sup>min</sup>.

### Important Note:

The "Telescope: Mount" option of the Setup menu is set to "Alt/Az" as the default mount by the factory. The example presented in this section assumes that you are performing an alignment procedure for the first time with your telescope and therefore, the "Telescope: Mount" option does not need to be selected.

If the telescope is equatorially mounted, you must choose the "Polar" option from the Autostar II "Telescope Mount" menu.

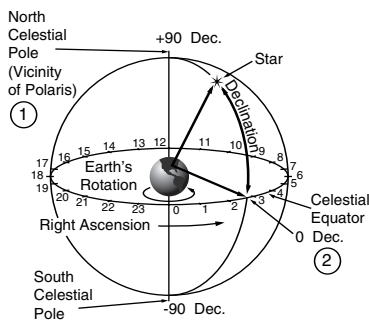
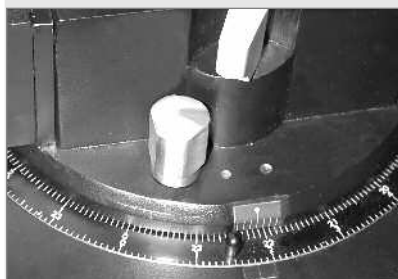


Fig. 49: Celestial Sphere.



**Fig. 50:** Declination Setting Circle.



**Fig. 51:** Section of Right Ascension Setting Circle.

Using setting circles requires a developed technique. When using the circles for the first time, try hopping from one bright star (the calibration star) to another bright star of known coordinates. Practice moving the telescope from one easy-to-find object to another. In this way, the precision required for accurate object location becomes evident.

**Note** You may also enter an object's R.A. and Dec. coordinates using the "User: Objects" option of Autostar II's Object menu. Autostar II then automatically slews the telescope to the entered coordinates.

Note that the R.A. circle is double-indexed (*i.e.*, there are two series of numbers running in opposite directions around the circumference of the R.A. circle). The upper series of numbers (increasing counterclockwise) applies to observers located in the Earth's Northern Hemisphere; the lower series of numbers (increasing clockwise) applies to observers located in the Earth's Southern Hemisphere.

**To use the setting circles to locate an object not easily found by direct visual observation:**

With the telescope aligned to the Celestial Pole, first look up the celestial coordinates (R.A. and Dec.) of the object in a star atlas. Then loosen the R.A. lock and move the telescope to read the correct R.A. of the desired object; lock the R.A. lock onto the coordinate. Next, move the telescope in Declination to read the correct Declination of the object. If the procedure has been followed carefully, and if the telescope was well-aligned with the pole, the desired object should now be in the telescopic field of a low-power eyepiece.

If you do not immediately see the object you are seeking, try searching the adjacent sky area. Keep in mind that, with the 24mm eyepiece, the field of view of the RCX400 is about 0.75°. Because of its much wider field, the viewfinder may be of significant assistance in locating and centering objects, after the setting circles have been used to locate the approximate position of the object.

Pinpoint application of the setting circles requires that the telescope be precisely aligned with the pole. See **PRECISE POLAR ALIGNMENTS**, page 60.

**Equatorial Wedge**

An optional equatorial RCX superwedge is required for equatorial (polar) alignment. See **Fig. 54**.

The equatorial wedge permits use in an astronomical, or "equatorial," mode. The wedge fits onto the field tripod. Equatorial alignment allows you to take longer exposure photographs with your RCX400.

See the instruction sheet supplied with the wedge for installation and setup information.

**Note:** For almost all astronomical observing requirements, approximate settings of the telescope's latitude and polar axis are acceptable. Do not allow undue attention to precise polar alignment of the telescope to interfere with your basic enjoyment of the instrument.

**Note:** The Meade equatorial wedge is designed solely for use in conjunction with your Meade tripod. The wedge should never be used without the tripod (*e.g.*, by placing the wedge alone on a table top and then mounting the telescope on the wedge—the wedge may become seriously unbalanced, to the point where the telescope may actually tip over).

Included features:

- Attachment of the wedge to the tripod by means of only one manual knob.
- Quick azimuth adjustment by loosening the manual knob.
- Bubble level for rapid tripod/wedge leveling.
- Etched latitude scale for fast adjustment of the latitude angle.

## Lining Up with the Celestial Pole

Objects in the sky appear to revolve around the celestial pole. (Actually, celestial objects are essentially “fixed.” Their apparent motion is caused by the Earth’s rotation). During any 24 hour period, stars make one complete revolution about the pole, making concentric circles with the pole at the center. By lining up the telescope’s polar axis with the North Celestial Pole (or for observers located in Earth’s Southern Hemisphere, with the South Celestial Pole), astronomical objects may be followed, or tracked, simply by moving the telescope about one axis, the polar axis. This tracking may be accomplished automatically with the RCX400 electric motor drive.

If the telescope is reasonably well aligned with the pole, very little use of the telescope’s Declination slow motion control is necessary. Virtually all of the required telescope tracking will be in Right Ascension. (If the telescope were perfectly aligned with the pole, no Declination tracking of celestial objects would be required.) For the purposes of casual telescopic observations, lining up the telescope’s polar axis to within a degree or two of the pole is more than sufficient: with this level of pointing accuracy, the telescope’s motor drive will track accurately and keep objects in the telescopic field of view for perhaps 20 to 30 minutes.

Begin polar aligning the telescope by locating Polaris. Finding Polaris is simple. Most people recognize the “Big Dipper.” The Big Dipper has two stars that point the way to Polaris (**Fig. 52**). Once Polaris is found, it is a straightforward procedure to obtain a rough polar alignment.

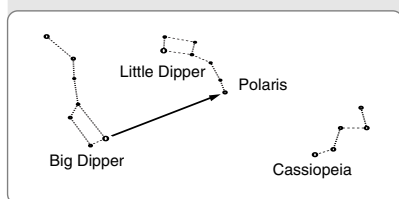
To line up with Polaris, follow the procedure described below. Refer to the instruction sheet included with your equatorial wedge for information about attaching the wedge to the telescope and also about using the azimuth and latitude controls.

1. Select “Setup: Telescope” from the Autostar II menus. Press ENTER. Scroll to “Telescope: Mount” and press ENTER. Scroll to “Scope Mounting: Polar” and press ENTER. The telescope mount is now set to the polar mode.
2. Press MODE until “Select Item: Setup” displays. Press ENTER. “Setup: Align” displays. Press ENTER. “Align: Easy” displays. Scroll to “Align: One-Star” and press ENTER. Autostar II now prompts you to set the telescope in the polar home position.
  - a. Using the bubble level of the wedge, adjust the tripod legs so that the bubble is level.
  - b. Set the wedge to your observing latitude.
  - c. Using the Up and Down Arrow keys, rotate the telescope tube in Declination so that the telescope’s Declination reads  $90^\circ$ . See **SETTING CIRCLES**, page 57.
  - d. Loosen the R.A. lock, and rotate the fork arms to the 00 position H. A. : Move the forks arms so that center tick mark on fork arm base (**A**, **Fig. 53**) aligns with the tick mark on the base (**B**, **Fig. 53**).
  - e. Press ENTER. The telescope slews to Polaris.
  - f. Use the azimuth and latitude controls on the wedge to center Polaris in the field of view. Do not use the Autostar II handbox during this process. When Polaris is centered, press ENTER. The telescope is now polar aligned. See **AUTOSTAR II PRECISE POLAR ALIGNMENT**, page 60, for more information.

At this point, your polar alignment is good enough for casual observations. There are times, however, when you will need to have precise polar alignment, such as when making fine astrophotographs.

Once the latitude angle of the wedge has been fixed and locked-in according to the above procedure, it is not necessary to repeat this operation each time the telescope is used, unless you move a considerable distance North or South from your original observing position. (Approximately 70 miles movement in North-South observing position is equivalent to  $1^\circ$  in latitude change.) The wedge may be detached from the field tripod and, as long as the latitude angle setting is not altered and the field tripod is leveled, it will retain the correct latitude setting when replaced on the tripod.

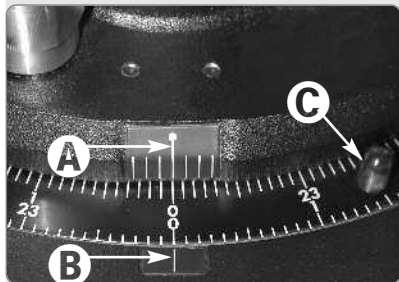
The first time you polar align the telescope, check the calibration of the Declination setting circle (**Fig. 50**). After performing the polar alignment procedure, center the star Polaris in the telescope field. Remove the knurled central hub of the Declination set-



**Fig. 52:** Locating Polaris.

### Tip:

You can check if the declination is set at true  $90^\circ$  in step 2c. Look through the eyepiece and rapidly slew the optical tube on the R.A. axis. If all the stars rotate around the center of the field of view, the Declination is set at  $90^\circ$ . If the stars arc out of the field of view, slew the optical tube on the Declination axis until you achieve the centering effect.



**Fig. 53:** Align tick marks to set the fork arms to 00 H.A. position.



**Fig. 54:** RCX400 mounted on an equatorial wedge.

ting circle and slightly loosen the two bolts located under the knob. Now turn the circle unit until it reads  $89.2^\circ$ , the Declination of Polaris. Then tighten down the two bolts and replace the knurled knob.

Should you wish to use the manual setting circles, the R.A. setting circle (**Fig. 51**) must be calibrated manually on the Right Ascension of a star every time the telescope is set up. (The R.A. setting circle has two sets of numbers, the inner set is for Southern hemisphere use, while the other is for Northern hemisphere use.) Locate a star with which you're familiar. Look up the R.A. for the star in a star chart or other aid. With the star centered in the telescope's eyepiece, move the R.A. setting circle, using one of knobs (**C, Fig. 53**), so that the R.A. of the star lines up with the tick mark on the base of the telescope (**B, Fig. 53**).

### Precise Polar Alignment

It should be emphasized that while doing casual observing, precise alignment of the telescope's polar axis to the celestial pole is not necessary. Don't allow a time-consuming effort at lining up with the pole to interfere with your basic enjoyment of the telescope. For long-exposure photography, however, the ground rules are quite different, and precise polar alignment is not only advisable, but almost essential.

Even though the RCX400 telescopes offers a very precise and sophisticated drive system, the fewer tracking corrections required during the course of a long-exposure photograph, the better. ("Long-exposure" means any photograph of a celestial object that last for 10 minutes or longer). In particular, the number of Declination corrections required is a direct function of the precision of polar alignment.

Precise polar alignment requires the use of a crosshair eyepiece. The Meade Illuminated Reticle Eyepiece (see **OPTIONAL ACCESSORIES**, pages 48 - 50) is well-suited in this application, but it is also preferable to increase the effective magnification through the use of a 2X or 3X Barlow lens as well. Follow this procedure (particularly if the pole star is not visible), sometimes better known as the "Drift" method:

1. Obtain a rough polar alignment as described earlier. Place the illuminated reticle eyepiece (or eyepiece/Barlow combination) into the eyepiece holder of the telescope.
2. Point the telescope, with the motor drive running, at a moderately bright star near where the meridian (the North-South line passing through your local zenith) and the celestial equator intersect. For best results, the star should be located within  $\pm 30$  minutes in R.A. of the meridian and within  $\pm 5^\circ$  of the celestial equator (see **CELESTIAL COORDINATES**, page 57). Pointing the telescope at a star that is straight up, with the Declination set to  $0^\circ$ , will point the telescope in the right direction.
3. Note the extent of the star's drift in Declination (disregard drift in Right Ascension):
  - a. If the star drifts South (or down), the telescope's polar axis is pointing too far East.
  - b. If the star drifts North (or up), the telescope's polar axis is pointing too far West.
4. Move the wedge in azimuth (horizontally) to effect the appropriate change in polar alignment. Reposition the telescope's East-West polar axis orientation until there is no further North-South drift by the star. Track the star for a period of time to be certain that its Declination drift has ceased.
5. Next, point the telescope at another moderately bright star near the Eastern horizon, but still near the celestial equator. For best results, the star should be about  $20^\circ$  or  $30^\circ$  above the Eastern horizon and within  $\pm 5^\circ$  of the celestial equator.
6. Again note the extent of the star's drift in Declination:
  - a. If the star drifts South, (or down) the telescope's polar axis is pointing too low.
  - b. If the star drifts North, (or up) the telescope's polar axis is pointing too high.
7. Use the altitude adjust control on the wedge to make appropriate changes in altitude, based on your observations above. Again, track the star for a period of time to be certain that Declination drift has ceased.

The above procedure results in very accurate polar alignment, and minimizes the need for tracking corrections during astrophotography.

**Important Note:**

*In order to select any of Autostar II's three polar alignment options, you must first select "Polar" in the "Mount" option of the "Setup: Telescope" menu.*

## Autostar II Polar Alignment

Autostar II provides three different (manual) methods for polar alignment: Easy, One-Star and Two-Star.

### Easy Polar Alignment

Two alignment stars are chosen by Autostar II based on the date, time, and location. First, choose "Polar" from the "Setup: Telescope: Mount" menu. The rest of the procedure is identical to the (Alt/Az) **EASY (TWO-STAR) ALIGN**, page 42.

### One-Star Polar Alignment

Polar One-Star Alignment requires some knowledge of the night sky. Autostar II provides a library of bright stars and one star from this library is chosen by the observer for alignment. Polaris is chosen by Autostar II. First, choose "Polar" from the "Setup: Telescope: Mount" menu. The rest of the procedure is almost identical to the (Alt/Az) **ONE STAR ALT/AZ ALIGNMENT**, page 43, except that Autostar II prompts you to point the telescope at Polaris and center it in the telescope eyepiece.

### Two-Star Polar Alignment

Polar Two-Star Alignment requires some knowledge of the night sky. Autostar II provides a library of bright stars and two stars from this library are chosen by the observer for alignment. First, choose "Polar" from the "Setup: Telescope: Mount" menu. The rest of the procedure is almost identical to the (Alt/Az) **TWO STAR ALT/AZ ALIGNMENT**, page 42.

## RCX400 TIPS

### Surf the Web

One of the most exciting resources for astronomy is the internet. The internet is full of websites with new images, discoveries, and the latest astronomical information. *For example:* When comet Hale-Bopp made its approach to our Sun in 1998, astronomers around the world posted new photos daily.

On the internet, you can find websites for almost any topic relating to astronomy. Try the following key word searches: NASA, Hubble, HST, astronomy, Messier, satellite, nebula, black hole, variable stars, etc.

Check Meade's website for the latest product and technical information. You can download the latest software revisions, links to other astronomical sites, coordinates of celestial objects and the latest satellite tracking information for your Autostar II handbox. See page 35 for more information. You'll find our website at:

**[www.meade.com/](http://www.meade.com/)**

Here are some other sites you might find interesting:

- *Sky & Telescope:*  
<http://www.SkyandTelescope.com>
- *Astronomy:*  
<http://www.astronomy.com>
- *The Starfield:*  
<http://users.nac.net/gburke/>
- *Astronomy Picture of the Day:*  
<http://antwarp.gsfc.nasa.gov/apod>
- *Heavens Above (satellite observing information):*  
<http://www.heavens-above.com>
- *Photographic Atlas of the Moon:*  
[http://www.lpi.ursa.edu/research/lunar\\_orbiter](http://www.lpi.ursa.edu/research/lunar_orbiter)
- *Hubble Space Telescope Public Pictures*  
<http://oposite.stsci.edu/pubinfo/pictures.html>

# APPENDIX B: LATITUDE CHART

## Latitude Chart for Major Cities of the World

To aid in the polar alignment procedure (see page 57), latitudes of major cities around the world are listed below. To determine the latitude of an observing site not listed on the chart, locate the city closest to your site. Then follow the procedure below:

**Northern hemisphere observers (N):** If the site is over 70 miles (110 km) North of the listed city, add one degree for every 70 miles. If the site is over 70 miles South of the listed city, subtract one degree per 70 miles.

**Southern Hemisphere observers (S):** If the site is over 70 miles (110 km) North of the listed city, subtract one degree for every 70 miles. If the site is over 70 miles South of the listed city, add one degree per 70 miles.

### NORTH AMERICA

City	State/Prov./Country	Latitude
Albuquerque	New Mexico	35° N
Anchorage	Alaska	61° N
Atlanta	Georgia	34° N
Boston	Massachusetts	42° N
Calgary	Alberta	51° N
Chicago	Illinois	42° N
Cleveland	Ohio	41° N
Dallas	Texas	33° N
Denver	Colorado	40° N
Detroit	Michigan	42° N
Honolulu	Hawaii	21° N
Jackson	Mississippi	32° N
Kansas City	Missouri	39° N
Kenosha	Wisconsin	45° N
Las Vegas	Nevada	36° N
Little Rock	Arkansas	35° N
Los Angeles	California	34° N
Mexico City	Mexico	19° N
Miami	Florida	26° N
Minneapolis	Minnesota	45° N
Nashville	Tennessee	36° N
New Orleans	Louisiana	30° N
New York	New York	41° N
Oklahoma City	Oklahoma	35° N
Ottawa	Ontario	45° N
Philadelphia	Pennsylvania	40° N
Phoenix	Arizona	33° N
Portland	Oregon	46° N
Salt Lake City	Utah	41° N
San Antonio	Texas	29° N
San Diego	California	33° N
San Francisco	California	38° N
Seattle	Washington	47° N
Washington	District of Columbia	39° N

### EUROPE

City	Country	Latitude
Amsterdam	Netherlands	52° N
Athens	Greece	38° N
Bern	Switzerland	47° N
Copenhagen	Denmark	56° N
Dublin	Ireland	53° N
Frankfurt	Germany	50° N
Glasgow	Scotland	56° N
Helsinki	Finland	60° N
Lisbon	Portugal	39° N
London	England	51° N
Madrid	Spain	40° N
Oslo	Norway	60° N
Paris	France	49° N
Rome	Italy	42° N
Stockholm	Sweden	59° N
Vienna	Austria	48° N
Warsaw	Poland	52° N

### SOUTH AMERICA

City	Country	Latitude
Bogotá	Colombia	4° N
São Paulo	Brazil	23° S
Buenos Aires	Argentina	35° S
Montevideo	Uruguay	35° S
Santiago	Chile	34° S
Caracas	Venezuela	10° N

### ASIA

City	Country	Latitude
Beijing	China	40° N
Hong Kong	China	23° N
Seoul	South Korea	37° N
Taipei	Taiwan	25° N
Tokyo	Japan	36° N
Sapporo	Japan	43° N
Bombay	India	19° N
Calcutta	India	22° N
Hanoi	Vietnam	21° N
Jedda	Saudi Arabia	21° N

### AFRICA

City	Country	Latitude
Cairo	Egypt	30° N
Cape Town	South Africa	34° S
Rabat	Morocco	34° N
Tunis	Tunisia	37° N
Windhoek	Namibia	23° S

### AUSTRALIA AND OCEANIA

City	State/Country	Latitude
Adelaide	South Australia	35° S
Brisbane	Queensland	27° S
Canberra	New South Wales	35° S
Alice Springs	Northern Territory	24° S
Hobart	Tasmania	43° S
Perth	Western Australia	32° S
Sydney	New South Wales	34° S
Melbourne	Victoria	38° S
Auckland	New Zealand	37° S

# APPENDIX C: CREATE YOUR OWN GUIDED TOUR

Creating your own Guided Tour can be an extremely useful tool. You can preprogram a script of objects you wish to view and study on any given night. You can also create a viewing script for students or for a friend.

More commands will be added from time-to-time to the list below. Periodically visit Meade's website ([www.meade.com](http://www.meade.com)) for future additions.

When a Guided Tour is selected, Autostar II slews your telescope to a predetermined list of objects and displays information about each object, such as type of object, constellation location, R.A. and Dec. coordinates, and so forth. Autostar II contains a few Guided Tours which are programmed at the factory. But it is also possible for an observer to create a custom Guided Tour.

A tour is basically an ASCII text file that contains a list of directions and descriptions. Each line of a tour is either a comment line, a command line, or a description.

## What you will need:

- A PC with text editor or word processing software installed (the tour must be saved as a "text only" or as a "MS-DOS text" file).
- The optional Meade RCX400 Interface Cable to download tour information to the Autostar II handbox.

## Tour Modes

The objects chosen for a tour list are selected from Autostar II's database or by entering the object's R.A. and Dec. coordinates. The tour is presented in one of two modes:

*Automatic Mode:* The title of an object appears on first line and descriptive text scrolls on line 2.

*Interactive Mode:* Tour name appears on the first line of the Autostar II display and the name of the object displays on line 2. To display descriptive text in this mode, the user must press ENTER.

## Comment Line

Information in the Tour program that is not displayed, such as authorship, revision history, copyrights, etc. All comments begin with a "/" character in column 1 of the line. *For example:*

```
/ Extreme Objects  
/ (c) 2002 Meade Instruments Corporation
```

## Command Line

This line contains programming commands, including: R.A. and Dec. coordinates, a title string, a description string, and a keyword.

**R.A.:** Enter the Right Ascension of an object in the following format: HH:MM:SS. *Eg.,* 18:51:05

**Dec.:** Enter the Declination of an object in the following format: DDdMMmSSs. *Eg.,* -06d16m00s

**Title String:** Text within a title string is displayed as the title of the object. A title string can contain up to 16 characters and must be surrounded by quotation marks. *For example:* "M64" or "My Favorite Star."

In *Interactive Mode*, the title string appears on line 2 until it is selected with the ENTER key.

In *Automatic Mode*, or after Interactive Mode selection, the title string appears on line 1 while the description scrolls across line 2.

**Keywords:** Action to be performed during a tour. Autostar II recognizes the following keywords:

TITLE	TEXT	USER	NGC
IC	SAO	MESSIER	CALDWELL
PLANET	MOON	SATELLITE	ASTEROID
COMET	LUNAR ECLIPSE	METEOR SHOWER	DEEP SKY
CONSTELLATION	STAR	LANDMARK	DEFINE
PICK ONE/PICK END	AUTO SLEW	ON/OFF	#END

**Description String:** Description of an object. Must be surrounded by quotation marks. If the description is longer than one line, each line must end with a quotation mark and a hard return. Begin the next description line with a quotation mark.

If quotation marks are to be displayed in the on-screen description, use two quote marks at the beginning and end of the desired phrase. *For example:* "The Orion Nebula is considered ""awesome"" by many who view it."

### Writing a Tour

Using the list of commands listed above, a custom tour can be created. Placing the word AUTO SELECT before any of the command lines activates Automatic Mode and, when selected, Autostar II automatically searches and finds the designated object.

The following is a list of command lines, complete with keywords and necessary strings:

#### TITLE

Title must be the first keyword in your tour after any comment lines and must be 15 characters or less. Autostar II displays this title when "Guided Tour" is selected from the menus.

*For example:* TITLE "A Star's Life"

#### TEXT "title string" "description string"

This command allows you to display a text title and description.

#### USER ra dec "title string" "description string"

This command line allows you to access a specific object with your own description. Enter USER, then the R.A. and Dec. of a desired object, and its title and description. Use the format described in the Command Line section.

The following commands specify objects that are already in the Autostar II database. If these commands follow the command AUTO SELECT, the object's title displays on line 1 and its description scrolls across line 2.

Do not add a description string after the following command lines; these commands access objects with existing description in the Autostar II database.

#### NGC xxxx

Enter NGC followed by the desired New General Catalog number and Autostar II provides the user with a description of the object from its database. *For example:* NGC 4256

#### IC xxxx

Enter IC followed by the desired Index Catalog number and Autostar II provides the user with a description of the object from its database. *For example:* IC 1217

#### SAO xxxxxx

Enter SAO followed by the desired SAO number and Autostar II provides the user with a description of the object from its database. *For example:* SAO 30200

#### Messier xxx

Enter MESSIER followed by the desired Messier number and Autostar II provides the user with a description of the object from its database. *For example:* M 101

#### CALDWELL xxx

Enter CALDWELL followed by the Caldwell number and Autostar II provides the user with a description of the object from its database. *For example:* CALDWELL 17



#### PLANET "name"

Enter PLANET and then the name of the desired planet in quotes. Autostar II provides the user with a description of the selected planet from its database. *For example:* PLANET "Pluto"

#### MOON

This command accesses information about the Moon from the Autostar II database.

#### SATELLITE "name"

Enter SATELLITE and then the name of the desired satellite in quotes. Autostar II displays information about the satellite from its database. *For example:* SATELLITE: "Intl Space Stn"

#### ASTEROID "name"

Enter ASTEROID and then the name of the desired asteroid in quotes. Autostar II displays information about the asteroid from its database. *For example:* ASTEROID: "Ceres"

#### COMET "name"

Enter COMET and then the name of the desired comet in quotes. Autostar II displays information about the comet from its database. *For example:* COMET: "Halley"

#### LUNAR ECLIPSE

If LUNAR ECLIPSE is part of the tour, Autostar II checks its database every time the tour is activated to see if a lunar eclipse is visible that evening. If no eclipse is visible, this option is skipped and the tour proceeds on to the next object.

#### METEOR SHOWER

If METEOR SHOWER is part of the tour, Autostar II checks its database every time the tour is activated to see if a meteor shower is visible that evening. If no meteor shower is visible, this option is skipped and the tour proceeds on to the next object.

#### DEEP SKY "name"

Enter DEEP SKY followed by the name of the desired object in quotes. *For example:* DEEP SKY "Small Magellanic Cloud"

#### CONSTELLATION "name"

Enter CONSTELLATION followed by the name of the desired constellation in quotes. *For example:* CONSTELLATION "Leo Major"

#### STAR "name"

Enter STAR followed by the name of the desired star in quotes. *For example:* STAR "Vega"

#### LANDMARK az alt "title" "description"

Enter the azimuth (az) for the desired object in the following format: xxxdxxmxxs. *For example:* 123d27m00s. Then enter the altitude of the desired object in the following format: xdxmxxs. Then enter the title string and description string in quotes. *For example:*

LANDMARK 123d27m00s 57d20m20s "Landmark 1" "North corner of apartment building"

#### PICK ONE / PICK END

These two statements are used to surround a list of items that Autostar II can choose from during a tour. Autostar II begins at the top of the PICK ONE list and displays the first object from the list that is above the horizon and ignores the rest.

This statement is useful for developing tours that can be presented year-round. For each object type you wish to use to illustrate in your tour, pick 10 to 12 examples spaced across the range of right ascension. Bracket them by the PICK ONE / PICK END statements. One current example displays for the user. *For example:*

AUTO SELECT TEXT "Globular Cluster" "Globular clusters are huge balls of stars."  
"They contain 50,000 to 100,000 stars and are located on the fringes of our"  
"galaxy."

PICK ONE

AUTO SELECT MESSIER 13

AUTO SELECT MESSIER 15

AUTO SELECT MESSIER 92

AUTO SELECT MESSIER 4

AUTO SELECT MESSIER 68

AUTO SELECT NGC 1234

AUTO SELECT TEXT "None Available" "I'm sorry. There are no bright globular"  
"clusters visible at this time."

PICK END

AUTO SLEW ON / AUTO SLEW OFF

With AUTO SLEW ON enabled in the tour, Autostar II automatically slews the telescope to objects first before displaying the text description. This feature is useful when designing tours in which observing certain objects is required. *For example:* An astronomy professor may require his students to observe six objects, four of which Autostar II automatically slews to in a tour. The students would have to manually slew to the last two objects. He would then place AUTO SLEW ON before his first required object and AUTO SLEW OFF after the fourth object.

#END

To end a tour, type the command #END on a separate line at the very end of the tour.

#### **Downloading Tours**

Once a tour is written and stored as an ASCII file (saved either as a "text only" or "MS DOS text" file), load it into Autostar II using the Autostar II Update Utility on your PC. As tours are downloaded into the handbox, Autostar II examines the programming. If it doesn't understand the terminology used within a tour, it flags questionable areas and displays them in a pop-up window on your computer screen. Make the necessary corrections and try to download again. See the instruction sheet with your RCX400 Interface Cable for more information about downloading data to and interfacing with Autostar II.

# APPENDIX D: TRAINING THE DRIVE

Train the telescope motors using Autostar II. Perform this procedure if you are experiencing any pointing accuracy problems. **Fig. 55** depicts the complete Drive Training procedure.

**Note:** Use a terrestrial object, such as a telephone pole or lamp post, to train the drive. Complete this exercise once every 3 to 6 months to maintain the highest level of telescope pointing accuracy.

## RCX400 TIPS

### Further Study....

This manual gives only the briefest introduction to astronomy. If you are interested in pursuing further studies in astronomy, a few topics are suggested below that are worth reading up on. Try looking up some of these in the optional Autostar II glossary.

Also included below is a small sampling of books, magazines, and organizations that you might find helpful.

#### Topics

1. How is a star born? How does a solar system form?
2. How is the distance to a star measured? What is a light year? What is red shift and blue shift?
3. How are the craters on our Moon formed? Is there water under the surface of the Moon?
4. What is a black hole? A neutron star? A quark star? A gamma burster? An Einstein lens?
5. What are stars made of? Why are stars different colors? How is the elemental composition of a star determined? What is an Lyman Alpha forest?
6. What is the difference between a Type 1 and a Type II supernova?
7. What is the importance of studying the composition of comets? Where do comets come from?
8. How old is our Sun? Will our Sun evolve into a planetary nebula or go supernova?
9. What is the Inflationary Big Bang? What is dark matter? What are MACHO's?
10. How are extrasolar planets discovered? What is an accretion (or protoplanetary) disk?
11. What are the differences between elliptical, spiral, and irregular galaxies?
12. Have we discovered proof that water exists anywhere else in our solar system?

#### Books

1. The Guide to Amateur Astronomy by Jack Newton and Philip Teece
2. The Sky: A User's Guide by David Levy
3. Turn Left at Orion by Guy Consolmagno & Dan Davis
4. Astrophotography for the Amateur by Michael Covington
5. Falling Stars: A Guide to Meteors and Meteorites by Mike Reynolds

#### Magazines

1. Sky & Telescope  
49 Bay State Road, Cambridge, MA 02138
2. Astronomy  
Box 1612, Waukesha, WI 53187

#### Organizations:

1. Astronomical League  
Executive Secretary  
5675 Real del Norte, Las Cruces, NM 88012
2. The Planetary Society  
65 North Catalina Ave, Pasadena, CA 91106
3. The Meade 4M Community  
www.meade4m.com

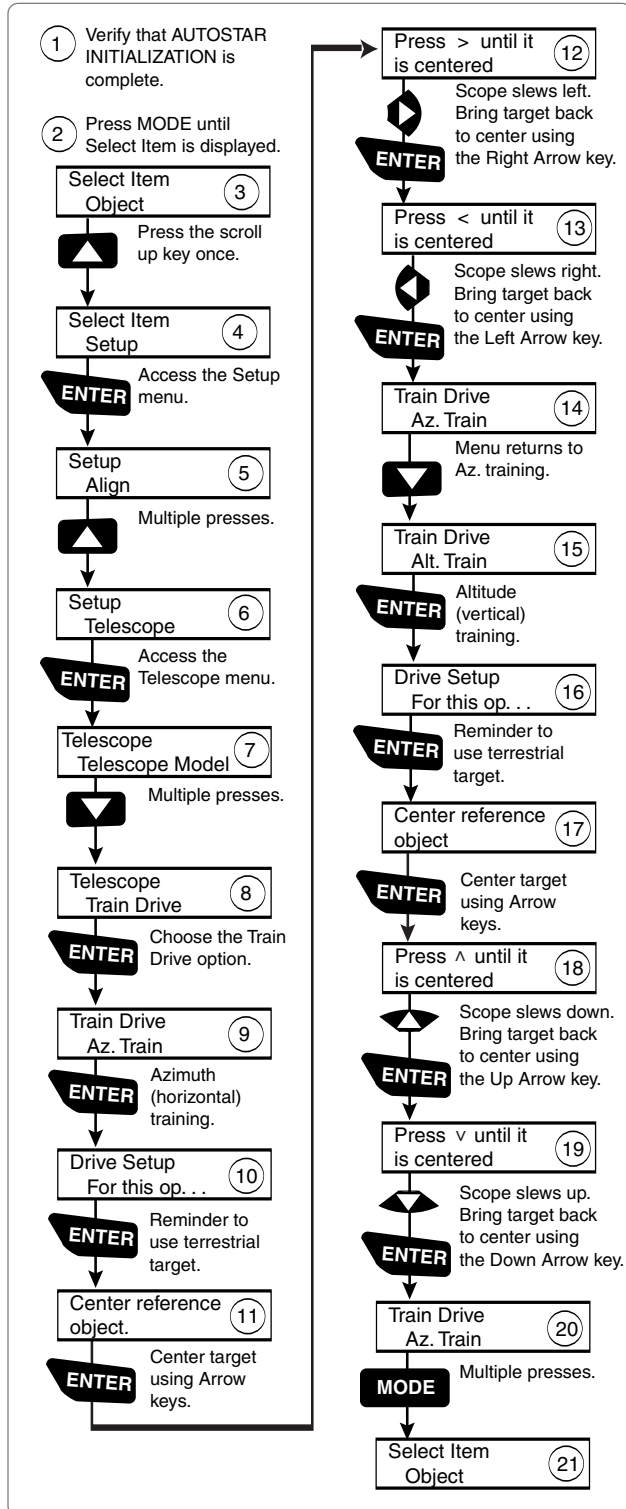


Figure 55: Training the Drive Procedure.

## APPENDIX E: THE MOON MENU

The Moon option of the Object menu allows you to observe the moon in a way never possible before. You will be able locate many specific features of the lunar surface, including hundreds of craters, mare, valleys, and mountains. One special feature allows you to view all six Apollo landing sites. While you won't be able to see details such as any of the lunar landers or lunar excursion modules left behind by the astronauts (the best earth-based telescopes can only resolve features of about a half-mile across), you'll be able pinpoint the landing sites and study the terrain surrounding these sites.

When Autostar II synchs to a lunar feature, the telescope switches to Selenographic coordinates, *i.e.*, lunar latitude and longitude.

### To observe the Apollo 15 landing site using the Moon option:

1. Initialize and align the telescope system as previously described.
2. Press "5" on the Autostar II keypad. "Solar System: Mercury" displays.
3. Press a Scroll key until "Solar System: Moon" displays. Press ENTER.
4. "Moon: Overview" displays. Press GO TO. The telescope slews to the Moon.
5. With "Moon: Overview" on Autostar II's display, use the Scroll keys to browse through the menu options. Five categories of features are available: Landing Sites, Craters, Mountains, Mare and Lakes, and Valleys and Rills.
6. Select a distinct lunar crater with which you are familiar, such as Copernicus or Kepler, from the Craters option and press ENTER.
7. Then press GO TO to slew to that feature. Center the feature in the eyepiece and hold down ENTER for more than two seconds to ENTER TO SYNC. The telescope is now synched to Selenographic coordinates.
8. Press MODE twice to return to the features list. Press a Scroll key until "Moon: Landing Sites" displays.
9. Press ENTER. "Landing Sites: Apollo 11" displays.
10. Press a Scroll key until "Landing Sites: Apollo 15" displays.
11. Press GO TO. The telescope slews to the Apollo 15 site.
12. Press MODE to return to the previous menu option. Continue to press MODE to exit this menu.

Use this method to find other lunar features and points of interest. When you have selected a feature, press the "?" key or use the Scroll keys to display detailed information about the feature. Press MODE to return to the menu options.

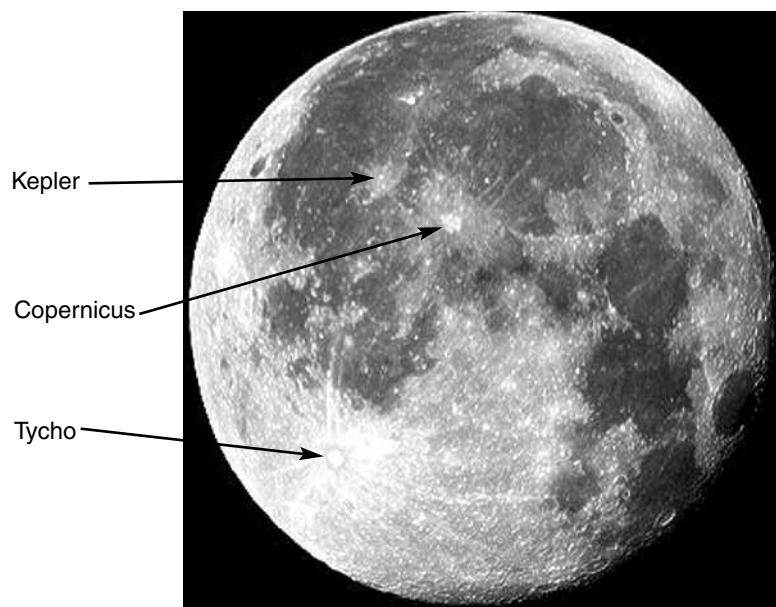


Figure 56: Some easily recognized lunar craters.

# APPENDIX F:

## Smart Mount

### Introduction

Smart Mount improves the pointing accuracy of your RCX400 telescope's "Go to" system. Despite careful efforts to calibrate and align telescopes, they may fail to precisely center objects. Smart Mount allows your telescope to learn about, and then correct for, any systematic pointing errors, regardless of the cause.

Because training your mount takes some time, we recommend that it be primarily used on permanently mounted instruments or when imaging requires very accurate pointing. Once Smart Mount training has been performed, the scope will benefit from it so long as you carefully park the telescope at the end of each session and do not modify the mounting.

For portable instruments, we recommend training Smart Mount each time you set up your telescope to insure best results.

We recommend that you use an *illuminated reticle* during the training procedure. An illuminated reticle allows you to precisely center celestial objects in a telescope's eyepiece. The more precisely you center objects during Smart Mount training, the more pointing precision your telescope will be able to achieve. If you do not have an illuminated reticle, see **OPTIONAL ACCESSORIES**, pages 48 - 50 for more information.

### Operation

The Smart Mount feature is located in the Autostar II Setup menu.

In order to use Smart Mount, create a model that allows Smart Mount to improve your telescope's accuracy. This is normally done by training Smart Mount. Once training has been completed, you will save your model. Autostar II allows you to save several models under different names. This allows you to, for example, save one model for a heavy imaging camera configuration on a permanently aligned scope, and another when you have a lighter load on the mount.

### Training

In order to obtain solid, repeatable results, perform the following procedures *before* you create a model:

- Setup and align your telescope.
- Perform both RA/Az and Dec/Alt drive training calibration.

Once you have calibrated and aligned your telescope, if you wish to start a new model, go to the Smart Mount main menu. Locate and select "Erase" to clear the current model. Next, proceed with the steps below:

**Note:** *If you do not erase the current model, the training session will refine the current model.*

- Locate "Train" in the Smart Mount Configuration menu and press enter.
- The telescope will select and slew to several (over 40) stars.
- When requested to do so, carefully center each star and then press ENTER.

If you find that you cannot see a star because there is an obstruction blocking your view:

- Press MODE briefly to skip this star. Another star will be chosen.

To exit the training sequence before it is completed:

- Press and hold MODE for about two seconds and then release it.

When you have completed training:

- Save your model, using a good, descriptive name, using the "Save As" menu. Upon completion of the training, Smart Mount is enabled and *remains on* until you choose "Off" from the Smart Mount Configuration menu.

Want to learn more about **Alignment**? See page 22.

Want to learn more about **training your drive**? See page 67.

### **Permanently Mounted Scopes**

For permanently mounted telescopes, it is not necessary to have more than one model unless the weight and balance of auxiliary equipment introduces balance or flexure changes that significantly affect pointing. The best practice is to train the Smart Mount and then run a couple of sessions with Update enabled. Thereafter, simply leave Smart Mount On as the installation default.

### **Other Menu Options**

#### **Save As and Load**

The Smart Mount system allows you to save several models you have created (see **TRAINING** on the previous page) using the Save As command. Choose which model will be the "Current Model" using the Load command.

#### **Update**

The Update mode allows you to update training for the current model you have enabled. You will sync on several stars as previously described, which will further refine the pointing of your telescope. Save your model after running in update mode, otherwise the update will be lost when the telescope is powered off.

#### **On**

Load a model from memory (see **SAVE AS AND LOAD** above) and then Select Smart On. When Smart Mount is "On," the telescope will use the currently loaded model to refine your telescope's pointing, but will not update the model (see **SMART MOUNT UPDATE** above). If Smart Mount was "On" when you last powered off your telescope, it will be "On" when you start the next session.

#### **Off**

When Smart Mount is "Off," the telescope will not use any model you have created to refine pointing accuracy.

#### **Erase**

The Erase command clears the Current Smart Mount table values to allow a new model to be created.

#### **Delete**

The Delete command allows you to delete any model from memory. To delete a model, just scroll through the names and select the model to you wish to delete and press ENTER. You will be asked to confirm your choice. Press ENTER again and it will be removed from memory.

**Caution:**

Due to the weight and size of the 16" RCX model, please use extreme caution whenever assembling, disassembling, lifting, transporting or storing this product. Two or more persons should always be used whenever performing any of the above tasks. Disregard for the above warning could result in serious injury or death.

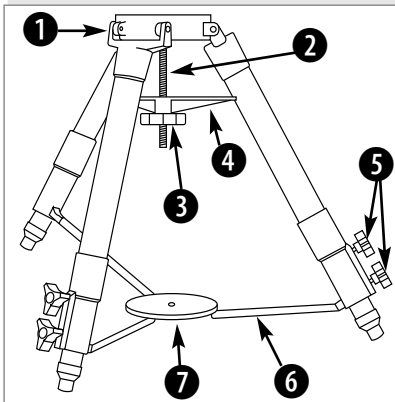


Fig. 58: The Super Giant Field Tripod: (1) Tripod head; (2) Threaded rod; (3) Tension knob; (4) Spreader bar; (5) Lock knobs; (6) Extension strut; (7) Tension hub.

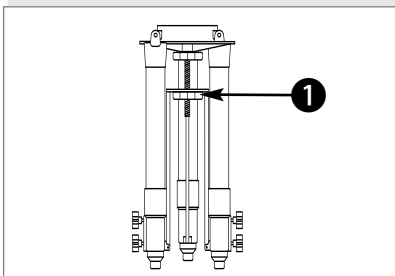


Fig. 59: The Super Giant Field Tripod collapsed.



Fig. 60 Tighten the tripod spreader bar with the tension knob.

## APPENDIX G: 16" RCX400

### Commercial Shipping

**Caution:** Serious damage to the drive gears may result from shock in handling. During transport or commercial shipping, the R.A. lock (13, Fig. 1) and/or the Dec. lock (17, Fig. 1) must not be engaged. Always release the locks when storing in the case or when crating for commercial shipment. This allows the telescope to give if the case or crate is sharply jarred or dropped.

The optical and mechanical axes of the 16" RCX400 telescope have been carefully aligned at the factory to ensure accurate object pointing.

#### To re-ship the 16" RCX400 commercially, be sure to follow this procedure:

When packaging the 16" RCX400, be sure to release the R.A. lock (13, Fig. 1) and Dec. lock (17, Fig. 1) to prevent shock to the gears in the motor assemblies should the package suffer rough handling.

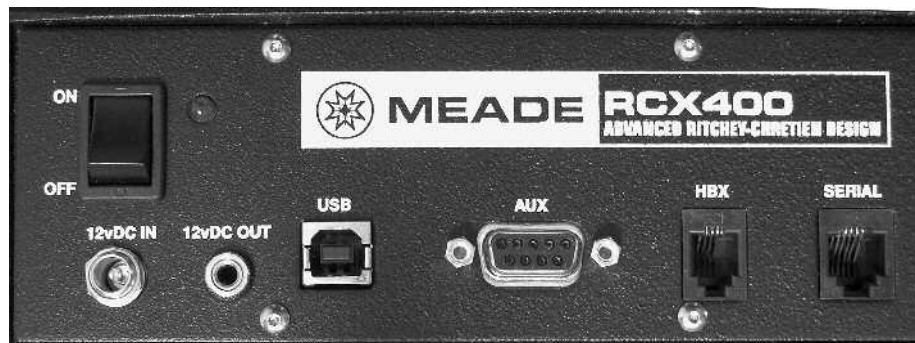


Fig. 57: The RCX400 Base Computer Control Panel.

### 16" TELESCOPE ASSEMBLY

Use the following procedure to assemble your telescope:

#### To Assemble the 16" Super Field Tripod

The 16" Super Field Tripod (Figs. 58 and 59) for the Meade 16" RCX400 telescope is supplied as a completely assembled unit, except for the spreader bar (4, Fig. 58) and the six lock-knobs (5, Fig. 58). There are two knobs for each of the three tripod legs. They are used to adjust the level of the tripod. These knobs are packed separately for safety in shipment.

For most observations, the drive base of the telescope's fork mount is attached directly to the super giant field tripod, in the altazimuth (altitude-azimuth or vertical-horizontal) format.

The telescope also can be mounted on a permanent pier in the equatorial format, which is set for the latitude of the observing location (see APPENDIX A, pages 57 through 61, for instructions on using the telescope in equatorial mode). The equatorial mode permits alignment of the telescope's polar axis with the celestial pole.

After removing the field tripod from its shipping carton, stand the tripod vertically, with the tripod feet down and with the tripod still fully collapsed (Fig. 59). Remove the lower knob (1, Fig. 58), releasing the tension hub (7, Fig. 58). This knob is used only when storing the field tripod. Moving one leg at a time, gently pull the legs apart. As the legs are opened, the tension hub will move down the threaded rod (2, Fig. 58) until it is free from the threaded rod. Continue to move the legs apart to a fully open position.

Thread in the two lock-knobs (5, Fig. 58) for each tripod leg, near the foot of each leg. These lock-knobs are used to fix the position of the inner tripod leg sections. These sections are used to level the telescope (described below).



Fig. 61: Remove the pointed bolts from the drive base.



Fig. 62: Attach the drive base to the tripod.



Fig. 63 Bolt the fork to the drive base.

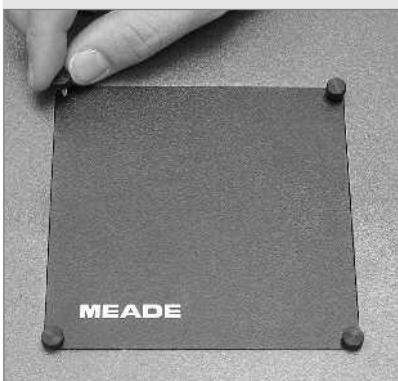


Fig. 64: Remove the four thumbscrews from the plate.

**Note:** Tightening to a firm-feel is sufficient. Over-tightening may result in stripping of the knob threads or damage to the tripod legs; it provides no additional strength.

Loosen the tension knob (3, Fig. 58), holding the spreader bar (4, Fig. 58), and slide the spreader bar down the threaded rod until you can rotate it so that the three arms align with the three tripod legs. Tighten the tension knob ( Fig. 60) to a firm feel; firm tightening of the tension knob is sufficient to result in rigid positioning of the legs. **Do not use force in tightening this knob.**

**To collapse the tripod (after removing the telescope) for storage, follow these steps:**

- Loosen the tension knob and rotate the spreader bar 60° from its assembled position, so that one spreader bar arm is located between each adjacent pair of tripod legs.
- Move the spreader bar to the top of the threaded rod. Tighten the tension knob, locking the bar.
- Working one leg at a time, gradually collapse the legs of the field tripod until the tension hub is positioned onto the threaded rod. Use the second tension knob to secure the tension hub in place.

#### Attaching the 16" Drive Base

- Remove the three pointed bolts that hold the packing material in place. These bolts are used only for shipping purposes and not used in the telescope assembly procedure. See Fig. 61.
- Rotate the field tripod so that one leg is pointing approximately South (it need not point exactly South).
- Position the 16" drive base onto the field tripod, with the power panel facing South. Secure the drive base using the three 1/2"-13x1-1/2" long bolts. Thread these bolts up through the underside of the tripod head into the drive base using the supplied hex key. Firmly tighten these bolts. See Fig. 62.
- Level the drive base by loosening the six lock-knobs (5, Fig. 58) and sliding out the inner tripod legs.
- Note the DB-15 connector at the center of the base.

#### Attaching the Fork

- Place the single-piece fork onto the top of the drive base. One side of the base of the fork has a cutout to allow clearance for the R.A. lock (13, Fig. 1) and R.A. slow-motion control (8, Fig. 1), which are located on top of the drive base.
- Bolt the fork to the drive base using the four 3/8"-16x3/4" long bolts (Fig. 63). Using the supplied hex key, tighten to a firm feel only.
- Unscrew and remove the four thumbscrews from the rectangular plate (Fig. 64) in the center of the fork base. Remove the plate. Note the DB-37 plug under the fork base.
- Connect the DB-37 plug to the DB-37 connector underneath the plate. Tighten the two thumbscrews onto the connector to a firm feel. See Fig. 65.
- A fifth 3/8"-16x3/4" long bolt is supplied with the telescope. Just using your fingers, loosely tighten this bolt under the plate. See Fig. 65. This bolt acts as a safety feature to prevent the DB-37 connector and cable from being damaged when you disassemble the telescope. You will not be able to disassemble the telescope until the bolt is removed. The bolt is located near the DB-37 assembly in the base as a reminder to unplug the connector before removing the fork from the drive base.

#### Mounting the Optical Tube Assembly (OTA)

This step requires two people who can lift up to 90 pounds each (**Note:** See *Caution in the margin on page 71*). The optical tube assembly (OTA) weighs about 145 lbs. and it must be positioned accurately in order to mount to the fork.



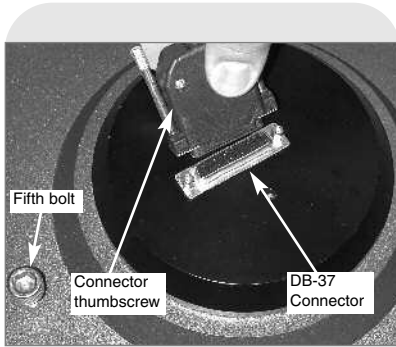


Fig. 65: View beneath plate (fork base not shown for clarity sake): Thread-in the fifth bolt and attach the DB-37 connector underneath the plate.

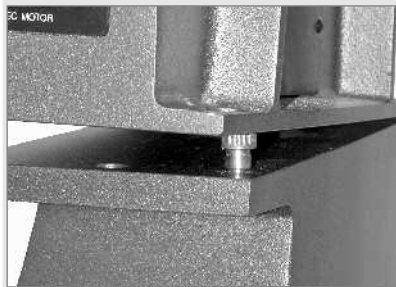


Fig. 66: Position the holes over the shoulder bolts. When they are in place, slide the OTA back so that the shoulder bolts lock into the slots.



Fig. 67: Tighten the fork arm assembly using the provided hex key.



Fig. 68: Plug in the DB-9 and DB-25 connectors to provide power from the Dec. motor to the fork arms.

- a. Located on the two top surfaces of the fork are two shoulder bolts. These two bolts function as locating pins for the OTA. On the inside edge of the Dec. castings are two matching holes (with slots). Before trying to mount the OTA, be sure to locate these two bolts and holes. Notice that the bolts and holes are located on one side of the castings, requiring the OTA to be mounted one way only.
- b. Tighten the Dec. lock (17, Fig. 1) to a firm feel only. With you on one side of the OTA and your assistant on the other side, grasp the two handles on each side and lift the OTA onto the top of the fork. Position the holes over the shoulder bolts. When they are in place, slide the OTA back so that the shoulder bolts lock into the slots (Fig. 66).
- c. Lock the OTA in place using the four 3/8"-16x3/4" bolts. Thread up the four bolts into the bottom of the Dec. castings, two on each side. Using the supplied hex key, tighten to a firm feel only (Fig. 53).

### Attaching the Power and Data Cords

Several power and data cords are supplied with the 16" RCX400. These should all be attached before powering up the telescope.

- a. Confirm that the power switch on the power panel is in the OFF position. Connect the power adapter to the 12vDC connector (Fig. 57).
- b. 2 short cords (8" long) with DB-9 and DB-25 connectors, are supplied. Plug into the DB-9 and DB-25 connectors located at the top of the sides of the fork and the Dec. casting (Fig. 67).
- c. Connect the Autostar II handbox to the HBX connector (Fig. 57) on the control panel.

## RCX400 TIPS

### What is Smart Drive?

Smart Drive is a feature that allows you to train almost all of the periodic error from the R.A. and Dec. motor drive worm gears. Periodic error is brought about by tiny gear imperfections. These imperfections exist in all manufactured worm gears. These imperfections tend to ever so slightly speed up or slow down the drive tracking speed during each rotation of the worm gear. This inconsistency in the tracking rate can have a negative effect on astrophotography. Smart drive lets you train your telescope system to compensate for these inconsistencies and, as a result, perform more accurate tracking during astrophotography. Smart Drive remembers the training even after the telescope is turned off.

If you'd like to learn more about about Periodic Error Correction, see page 44.

## BASIC ASTRONOMY

In the early 17th century Italian Scientist Galileo, using a telescope smaller than your RCX400, turned it skyward instead of looking at the distant trees and mountains. What he saw, and what he realized about what he saw, has forever changed the way mankind thinks about the universe. Imagine what it must have been like being the first human to see moons revolve around the planet Jupiter or to see the changing phases of Venus! Because of his observations, Galileo correctly realized Earth's movement and position around the Sun, and in doing so, gave birth to modern astronomy. Yet Galileo's telescope was so crude, he could not clearly make out the rings of Saturn.

Galileo's discoveries laid the foundation for understanding the motion and nature of the planets, stars, and galaxies. Building on his foundation, Henrietta Leavitt determined how to measure the distance to stars, Edwin Hubble gave us a glimpse into the possible origin of the universe, Albert Einstein unraveled the crucial relationship of time and light, and 21st-century astronomers are currently discovering planets around stars outside our solar system. Almost daily, using sophisticated successors to Galileo's telescope, such as the Hubble Space Telescope and the Chandra X-Ray Telescope, more and more mysteries of the universe are being probed and understood. We are living in the golden age of astronomy.

Unlike other sciences, astronomy welcomes contributions from amateurs. Much of the knowledge we have on subjects such as comets, meteor showers, double and variable stars, the Moon, and our solar system comes from observations made by amateur astronomers. So as you look through your Meade RCX400 telescope, keep in mind Galileo. To him, a telescope was not merely a machine made of glass and metal, but something far more—a window of incredible discovery.

### Autostar II Glossary

Be sure to make use of Autostar II's Glossary feature. The Glossary menu provides an alphabetical listing of definitions and descriptions of common astronomical terms. Access directly through the Glossary menu or through hypertext words embedded in Autostar II. See **GLOSSARY MENU**, page 31, for more information.

### Objects in Space

Listed below are some of the many astronomical objects that can be seen with your RCX400:

#### The Moon

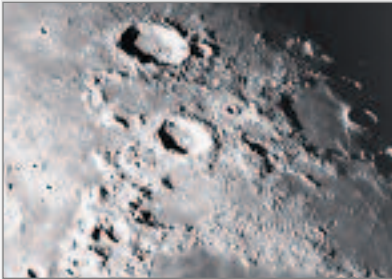
The Moon is, on average, a distance of 239,000 miles (380,000km) from Earth and is best observed during its crescent or half phase when Sunlight strikes the Moon's surface at an angle. It casts shadows and adds a sense of depth to the view (**Fig. 69**). No shadows are seen during a full Moon, causing the overly bright Moon to appear flat and rather uninteresting through the telescope. Be sure to use a neutral Moon filter when observing the Moon. Not only does it protect your eyes from the bright glare of the Moon, but it also helps enhance contrast, providing a more dramatic image.

Using your RCX400, brilliant detail can be observed on the Moon, including hundreds of lunar craters and maria, described below.

**Craters** are round meteor impact sites covering most of the Moon's surface. With no atmosphere on the Moon, no weather conditions exist, so the only erosive force is meteor strikes. Under these conditions, lunar craters can last for millions of years.

**Maria** (plural for mare) are smooth, dark areas scattered across the lunar surface. These dark areas are large ancient impact basins that were filled with lava from the interior of the Moon by the depth and force of a meteor or comet impact.

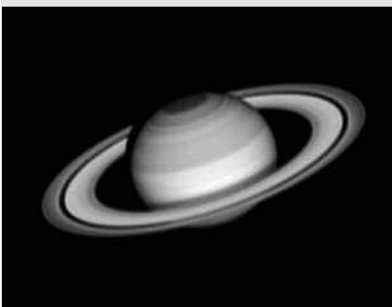
Twelve Apollo astronauts left their bootprints on the Moon in the late 1960's and early 1970's. However, no telescope on Earth is able to see these bootprints or any other artifacts. In fact, the smallest lunar features that may be seen with the largest telescope on Earth are about one-half mile across.



**Fig. 69:** The Moon. Note the deep shadows in the craters.



**Fig. 70:** The planet Jupiter. Jupiter's four largest moons can be observed in a different position every night.



**Fig. 71:** Saturn has the most extensive ring structure in our Solar System.

**Tip:**

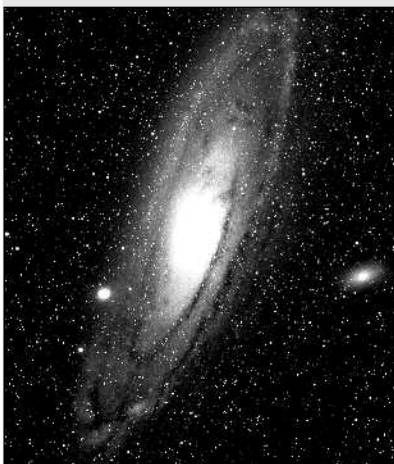
Enter a date in the Date menu and you can determine if a planet(s) will be visible during the night of the entered date by checking its rise and set times.



**Fig. 72:** A favorite winter sight—the great nebula in Orion.



**Fig. 73:** The Pleiades is one of the most beautiful open clusters.



**Fig. 74:** The Andromeda Galaxy, the largest galaxy of our local group.

## Planets

Planets change positions in the sky as they orbit around the Sun. To locate the planets on a given day or month, consult a monthly astronomy magazine, such as *Sky and Telescope* or *Astronomy*. You can also consult Autostar II for information about planets. Scroll to the "Object: Solar System" menu and scroll through the lists of planets. When a planet you are interested in displays, press ENTER. Use the Scroll keys to display information about the planet, such as the planet's coordinates, and the rise and set times. Listed below are the best planets for viewing through the RCX400.

**Venus** is about nine-tenths the diameter of Earth. As Venus orbits the Sun, observers can see it go through phases (crescent, half, and full) much like those of the Moon. The disk of Venus appears white as sunlight is reflected off the thick cloud cover that completely obscures any surface detail.

**Mars** is about half the diameter of Earth, and appears through the telescope as a tiny reddish-orange disk. It may be possible to see a hint of white at one of the planet's polar ice caps. Approximately every two years, when Mars is closest to Earth in its orbit, additional detail and coloring on the planet's surface may be visible.

**Jupiter** is the largest planet in our solar system and is 11 times the diameter of Earth. Jupiter (**Fig. 70**) appears as a disk with dark lines stretching across the surface. These lines are cloud bands in the atmosphere. Four of Jupiter's moons (Io, Europa, Ganymede, and Callisto) can be seen as "star-like" points of light when using even the lowest magnification. These moons orbit Jupiter so that the number of moons visible on any given night changes as they circle around the giant planet.

**Saturn** is nine times the diameter of Earth and appears as a small, round disk with rings extending out from either side (**Fig. 71**). In 1610, Galileo, the first person to observe Saturn through a telescope, did not understand that what he was seeing were rings. Instead, he believed that Saturn had "ears." Saturn's rings are composed of billions of ice particles ranging in size from a speck of dust to the size of a house. The major division in Saturn's rings, called the Cassini Division, is easily visible through the RCX400. Titan, the largest of Saturn's moons can also be seen as a bright, star-like object near the planet.

## Deep-Sky Objects

Star charts can be used to locate constellations, individual stars and deep-sky objects. Examples of just some of the deep-sky objects you'll be able to observe with your RCX400 are given below:

**Stars** are large gaseous objects that are self-illuminated by nuclear fusion in their core. Because of their vast distances from our solar system, all stars appear as pinpoints of light, irrespective of the size of the telescope used.

**Nebulae** are vast interstellar clouds of gas and dust where stars are formed. Most impressive of these is the Great Nebula in Orion (M42) (**Fig. 72**), a diffuse nebula that appears as a faint wispy gray cloud. M42 is 1600 light years from Earth.

**Open Clusters** are loose groupings of young stars, all recently formed from the same diffuse nebula. The Pleiades is an open cluster 410 light years away (**Fig. 73**). Through the RCX400, numerous stars are visible.

**Constellations** are large, imaginary patterns of stars believed by ancient civilizations to be the celestial equivalent of objects, animals, people, or gods. These patterns are too large to be seen through a telescope. To learn the constellations, start with an easy grouping of stars, such as the Big Dipper in Ursa Major. Then, use a star chart to explore across the sky.

**Galaxies** are large assemblies of stars, nebulae, and star clusters that are bound by gravity. The most common shape is spiral (such as our own Milky Way), but galaxies can also be elliptical, or even irregular blobs. The Andromeda Galaxy (M31) (**Fig. 74**) is the closest spiral-type galaxy to our own. This galaxy appears fuzzy and cigar-shaped. It is 2.2 million light years away in the constellation Andromeda, located between the large "W" of Cassiopeia and the great square of Pegasus.

## MEADE LIMITED WARRANTY

Every Meade telescope, spotting scope, and telescope accessory is warranted by Meade Instruments Corporation ("Meade") to be free of defects in materials and workmanship for a period of ONE YEAR from the date of original purchase in the U.S.A. and Canada. Meade will repair or replace a product, or part thereof, found by Meade to be defective, provided the defective part is returned to Meade, freight-prepaid, with proof of purchase. This warranty applies to the original purchaser only and is non-transferable. Meade products purchased outside North America are not included in this warranty, but are covered under separate warranties issued by Meade international distributors.

**RGA Number Required:** Prior to the return of any product or part, a Return Goods Authorization (RGA) number **must** be obtained from Meade by writing, or calling (800) 626-3233. Each returned part or product must include a written statement detailing the nature of the claimed defect, as well as the owner's name, address, and phone number.

This warranty is not valid in cases where the product has been abused or mishandled, where unauthorized repairs have been attempted or performed, or where depreciation of the product is due to normal wear-and-tear. Meade specifically disclaims special, indirect, or consequential damages or lost profit which may result from a breach of this warranty. Any implied warranties which cannot be disclaimed are hereby limited to a term of one year from the date of original retail purchase.

This warranty gives you specific rights. You may have other rights which vary from state to state.

Meade reserves the right to change product specifications or to discontinue products without notice.



**MEADE**<sup>®</sup>

6001 Oak Canyon, Irvine, California 92618  
(949) 451-1450 ■ [www.meade.com/rcx400](http://www.meade.com/rcx400)

14-7600-00 2/06 D